

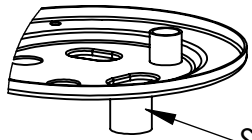
ITEM NO.	PART NUMBER	DESCRIPTION	QTY.
1	1860324	Mix Base - no Filter	1
2	1860316	Mix Tank Support Assy	1
3	1860315	Mix Cup Well - No Filter	1
4	1860301	Mix Drip Tray	1
5	1860303	Mix Drip Tray Insert	1
6	1502193	Valve Inlet Solenoid Dual - 3/8" Push Fit	1
	1520197	Valve Inlet Solenoid Dual - 3/8" Push Fit 120V	
8	1860321	Mix Side 8L	2
9	1860313	Mix Rear T8	1
10	1860302	Mix Top Lid	1
11	1860307	Mix Rubber Foot	4
12	1860304	Mix Fascia Upper	1
13	1860330	Mix Fascia Middle PB8	1
14	1860306	Mix Clear Screen	1
15	1860305	Mix Button	3
16	1860317	Mix Brace Assy	3
17	1860337	Mix Drain Plug	1
18	1860320	Mix Side Panel T8	2
19	1501156	Socket IEC C20	1
20	1501935	Dual Pole Rocker Switch	1
21	1600387	PCB Control Mix	1
	1600391	PCB Control Mix 120V	
23	1600455	Triac ST-BTA25	1
24	1400772	Elbow Barbed Connector - ATEB 0605	1
25	1400817	Elbow Push Fit 3/8" - 1/4" - ATEU 0406	1
26	1400816	Elbow Push Fit 1/4" - 1/4" - ATEU 0404	1
27	1860342	Mix Deflector Shield - Front	1
28	1860343	Mix Deflector Shield - Rear	1
29	1502073	Thermal Switch M4 stud 95oC Mix	1
30	1800696	Hose Vent Mix	1
31	1502072	Thermal Switch Mount Brass	1
32	1800620	Silicone Hose - 12mm ID x 17mm OD	35mm
33	1860311	Hose Silicone Dispense Mix	1
34	1800637	Hose LDPE - 1/4"	430mm
35	1800630	Silicone Hose - 8mmID x 12mm OD	200mm
36	-	Mix Vacc Tank 8L Assembly	1
37	1800690	Hose Water Inlet 3/4" WRC	1
	1800692	Hose Water Inlet 3/8 NPT	1

ITEM NO.	PART NUMBER	DESCRIPTION	QTY.
36	1501489	Cord set IEC C19 BS1363 UK	1
	1501487	Cord set IEC C19 CEE7 EU	1
	1501487	Cord set IEC C19 NEMA L6-20P US	1
43	1800541	Clip Hose Plastic 11mm Type c	1
44	1800545	Clip Hose Plastic 13mm Type E	1

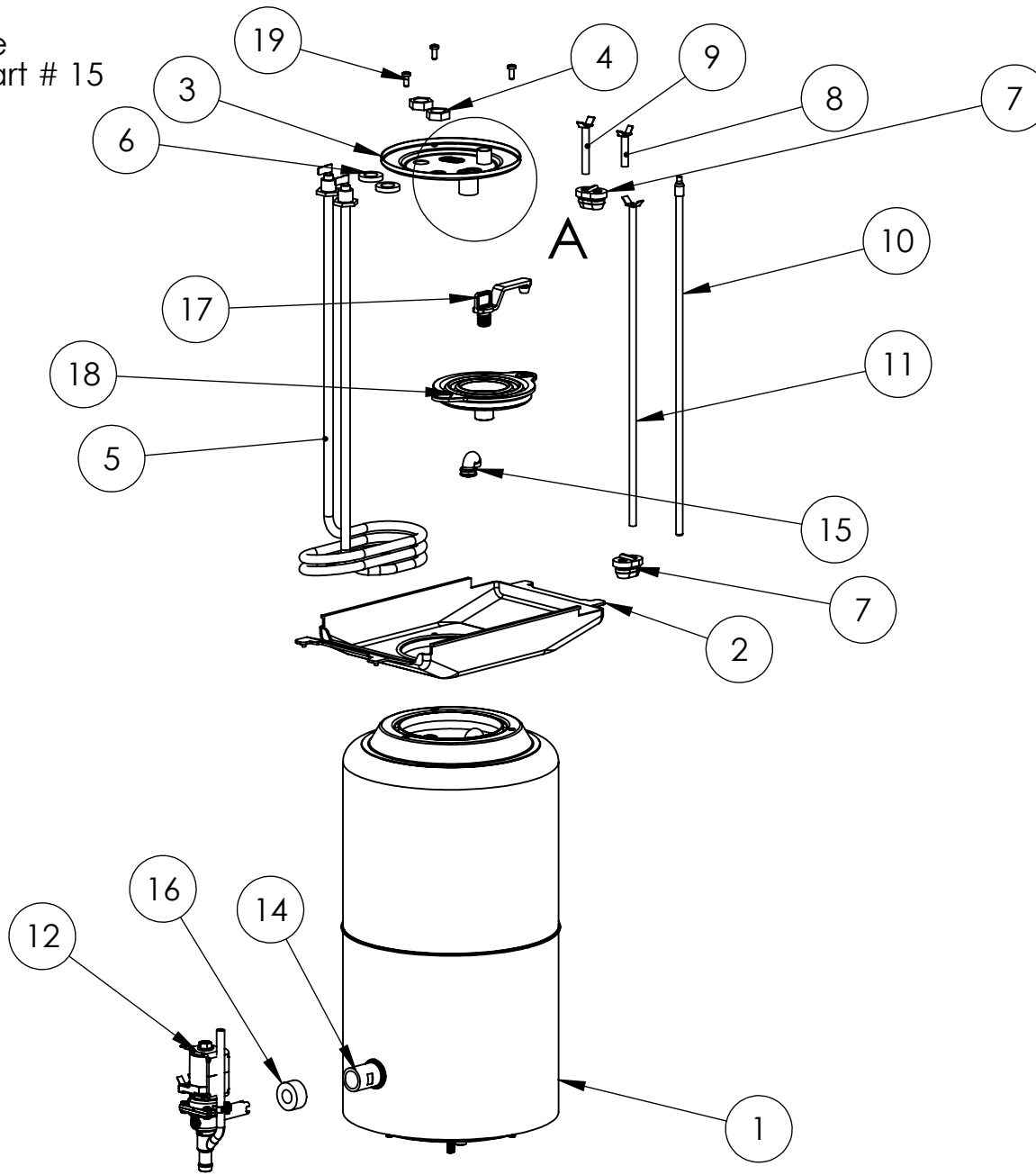
	DESCRIPTION:	Mix PB8 Exploded Diagram	DRAWN BY	RP	21/7/21	
	DWG NO.:	TANG-004S-e	APPROVED BY			
	MATERIAL:		REVISION	e	CO:	723

UNLESS OTHERWISE SPECIFIED: DIMENSIONS ARE IN MILLIMETERS  
TOLERANCES: LINEAR: +/-0.2mm

Note:  
 Part #3 new style lid with s/s pipe  
 New style lid does not require part # 15



S/S pipe  
 New style lid  
 DETAIL A  
 SCALE 1 : 3



DESCRIPTION:	Mix PB8 Exploded Diagram	DRAWN BY	RP	21/7/21
DWG NO.:	TANG-004S-e	APPROVED BY		
MATERIAL:		REVISION	e	CO: 723
				SCALE: 1:6

UNLESS OTHERWISE SPECIFIED: DIMENSIONS ARE IN MILLIMETERS  
 TOLERANCES: LINEAR: +/-0.2mm

ITEM NO.	PART NUMBER	DESCRIPTION	QTY.
1	2300732	Vacuum Tank 8L	1
2	1860310	Mix Tank Gasket	1
3	1860319	Mix Vacuum Tank Lid	1
4	1401000	LOCKNUT 1/4" BSP BRASS	2
5	1500992	Mix Element 8L	1
	1500994	Mix Element 8L 120V	1
6	1801375	Silicone Washer 21x12x4mm	2
7	1860326	Mix Level Probe Grommet	2
8	2300458	Probe Overflow - Mix	1
9	2300455	Probe High Level - Mix	1
10	1600694	Thermistor Assembly Mix 8L	1
11	2300457	Probe Low Level 8L Tank - Mix	1
12	1502148	Valve Dispense Solenoid Muller	1
13	1502167	Valve Dispense Solenoid 120V	
14	1401902	Spigot Stub Threaded 26mm	1
15	1800672	Jet Basket Syphon	1
16	1502147	Valve Dispense Solenoid Plug M00849	1
17	1860339	Mix Descale Funnel Bung	1
18	1860338	Mix Descale Funnel	1
19	1401760	Screw M4 X 10mm Pozi Pan S/S	3



DESCRIPTION: Mix PB8 Exploded Diagram

DRAWN BY

RP

21/7/21

DWG NO.:

TANG-004S-e

APPROVED BY

UNLESS OTHERWISE SPECIFIED: DIMENSIONS ARE IN MILLIMETERS  
TOLERANCES: LINEAR: +/-0.2mm

MATERIAL:

REVISION

e

CO:

723

SCALE:1:6