

Instruction Manual: 1900105  
Machine P/N: 1000943 , 1000879 #, 1000879FB  
1000941 & 1000942

**MIX / POUR'D**

# Contents

1. Font Box Contents.....	2
2. Counter Cut-Out.....	2
3. Installation.....	4
No Drip Tray.....	4
Drip Tray.....	5
Connecting Hoses MIX.....	6
Connecting hoses POUR'D.....	8
4. Operating Font.....	7
5. Cleaning & Maintenance.....	10

---

## Font Box Contents

### 3 & 1 Button Models

- 3 /1 button MIX Font 1000879 / 1000878
- Vent Hosing 1860388
- 8mm Water Hose 1860387
- 1/4" Water Hose 1860387
- Instruction Manual
- Vent plug 1401482
- 8mm-1/4" reducer 1400820

### 3B Concentrate 1000942

- 3B POUR'D concentrate Font
- 8mm Water Hose 2301250
- 1/4" Water Hose 2301251
- Vent Hosing 1860388
- Instruction Manual

## Counter Cut Out

- The 100mm /4" cut out is only required for the font with drip tray.
- The font without drip tray require the 32mm / 1 ¼" cut out only.
- Use a 32mm/ 1 ¼" & a 100mm /4" circular hole saw piece to make the holes.

# Counter Cut Out

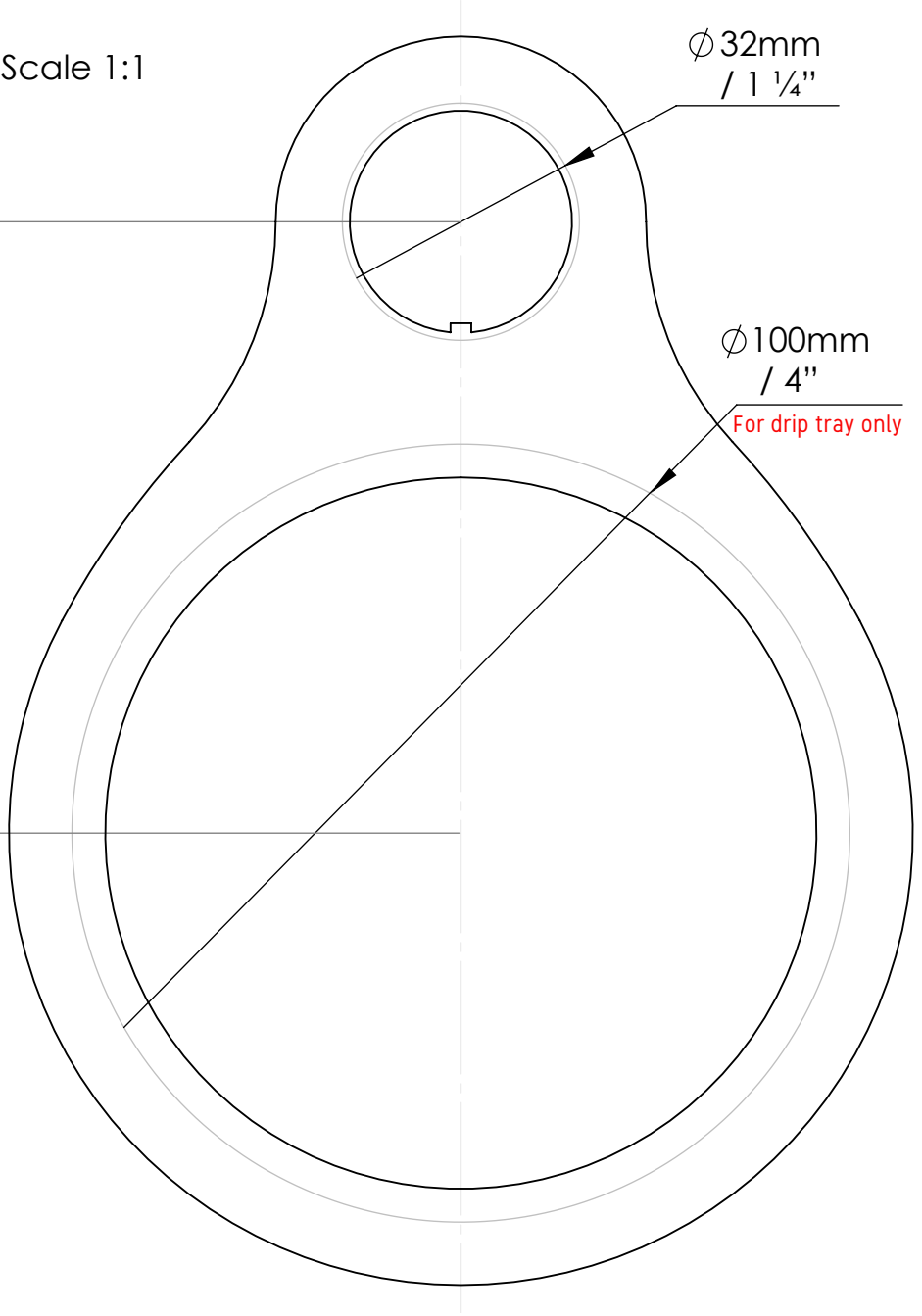
Scale 1:1

$\varnothing 32\text{mm}$   
/ 1 1/4"

$\varnothing 100\text{mm}$   
/ 4"

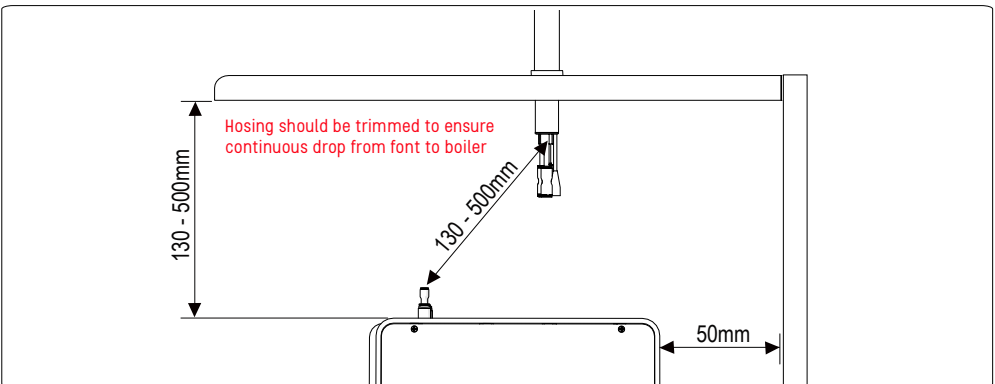
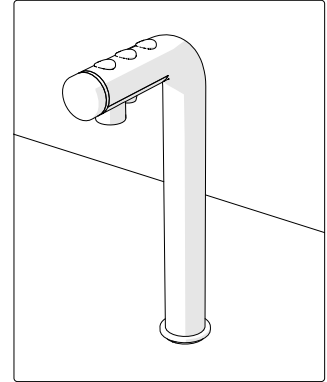
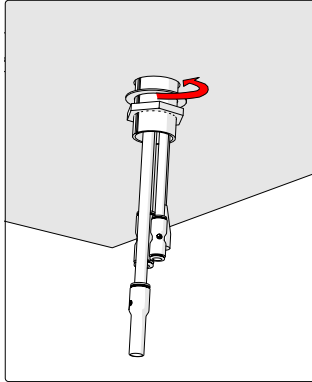
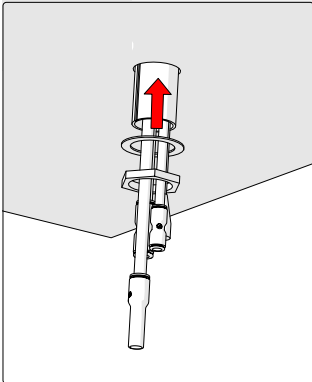
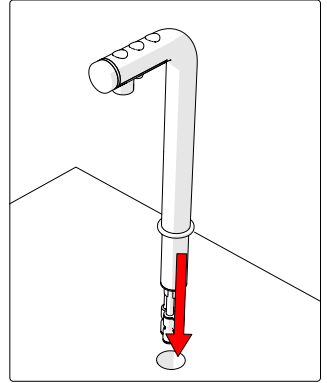
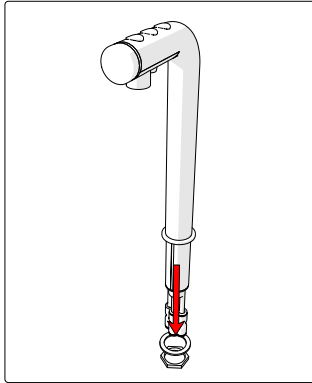
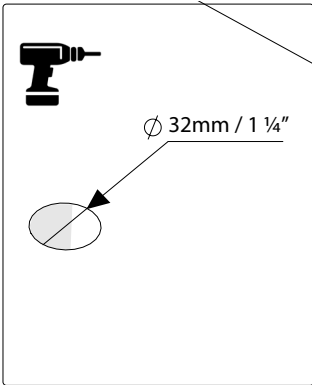
For drip tray only

NOTE: Check scale of template before cutting. Scale should be 1:1



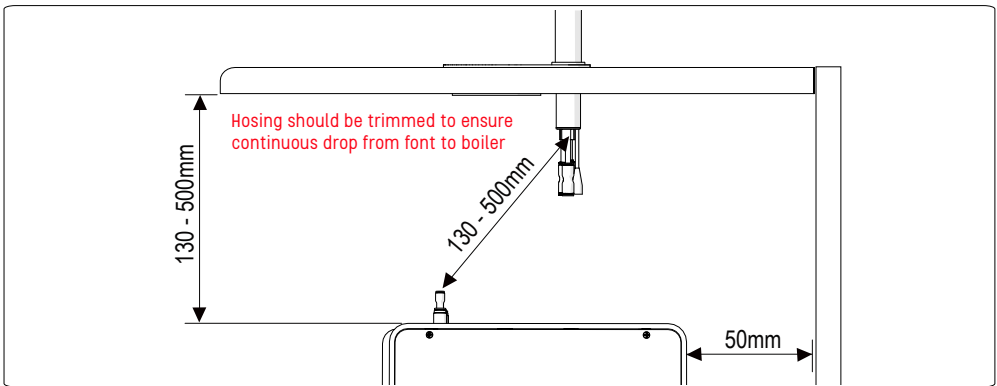
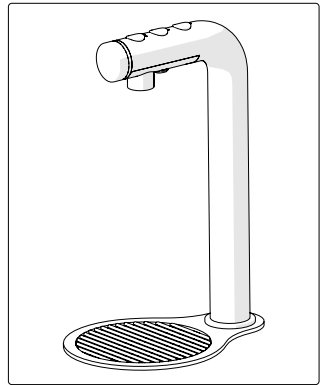
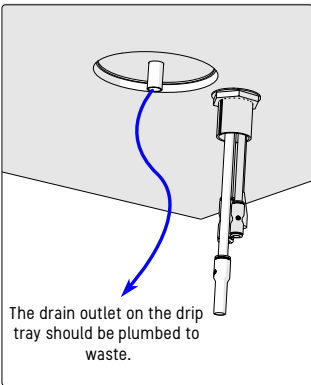
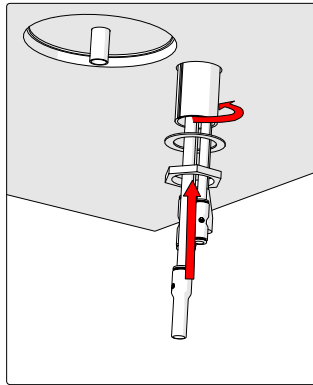
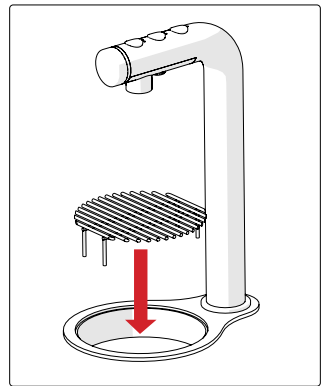
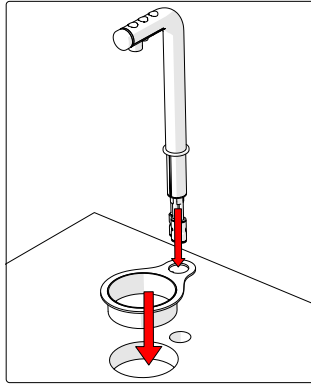
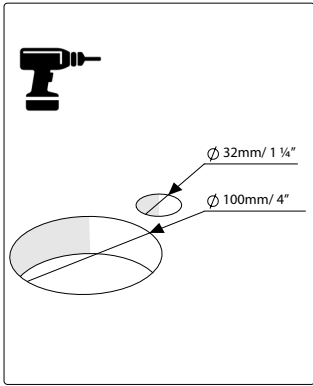
# Installation

## 1. No Drip Tray

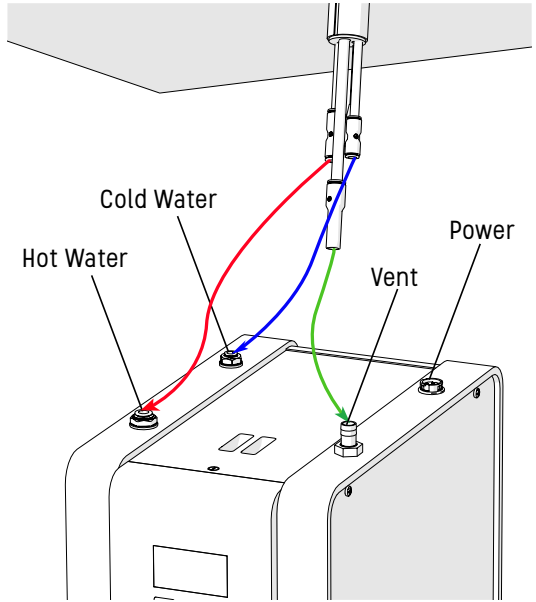


# Installation

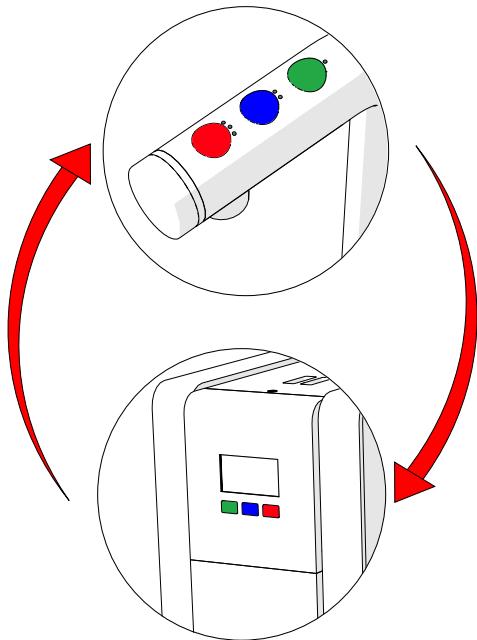
## 2. Drip Tray (sold separately p/n. 2300268)



# MIX 3 Button Font Connections

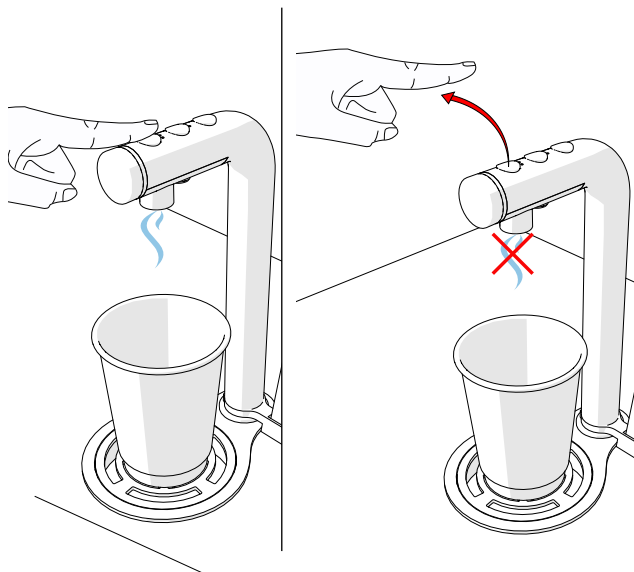


MIX programmable buttons

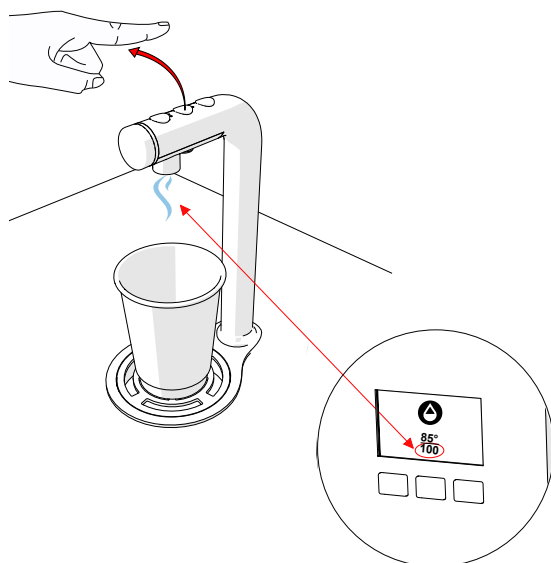


# Operating Font

## 1. Push & Hold

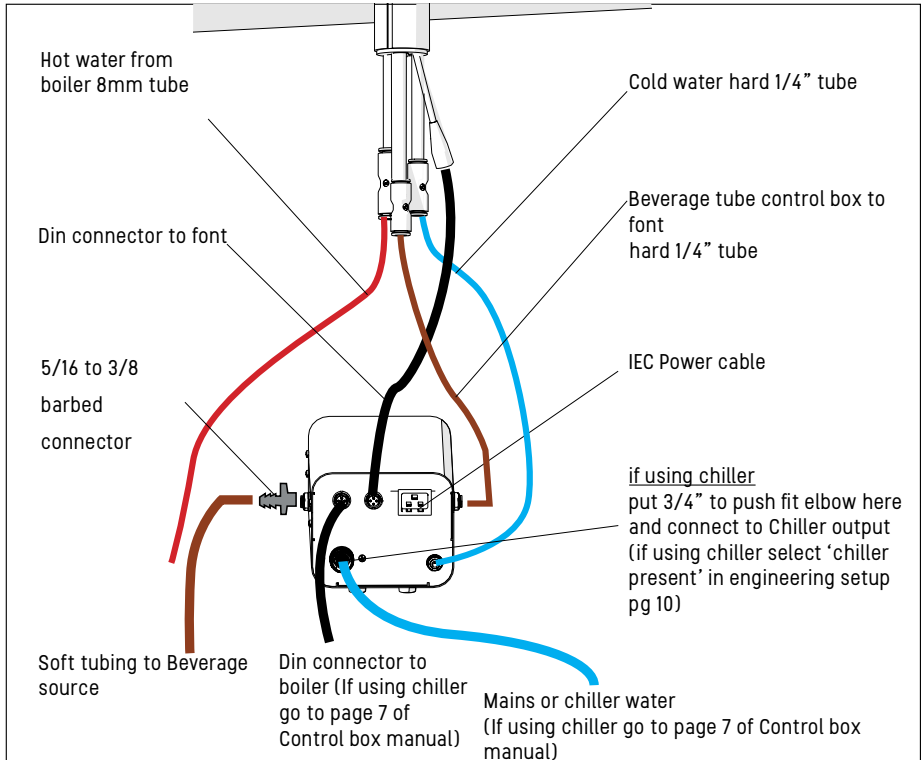
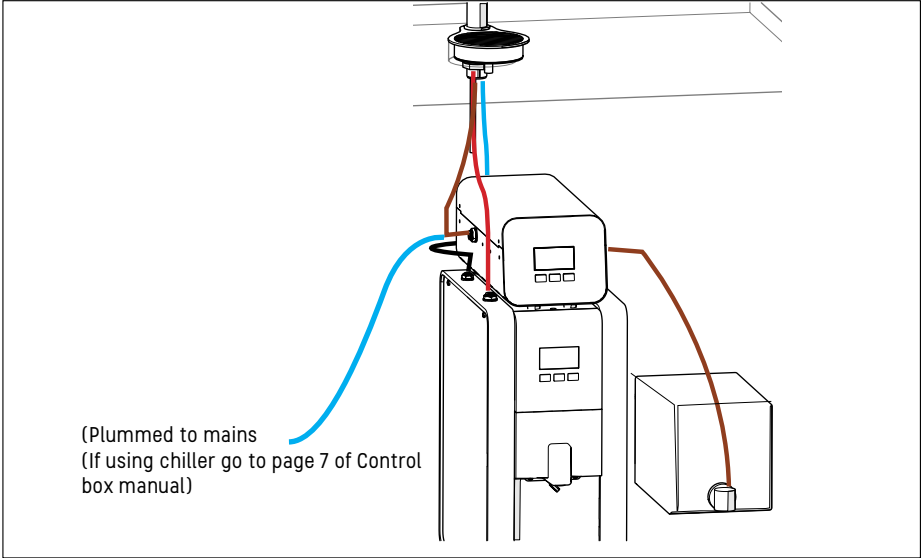


## 2. Push & Release



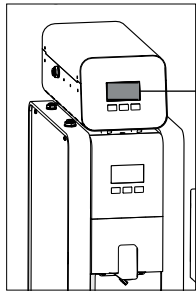
# POUR'D HOT/COLD WATER, DILUTED CONCENTRATE & CONCENTRATE SHOT

3 button connections (1000942 3b concentrate)





## Control box setup



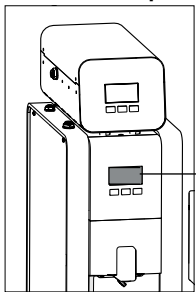
3 finger press short hold

HOT	COLD	RTD	MODE
000%	020%	--	% CONCENTRATE (0% = just water, 20%=4:1)
P&H	200ml	30ml	DISPENSE VOLUME (P&H = push and hold)
Next	-	-	

MODE	DESCRIPTION
HOT	Hot Water (set ratio to 0% )
COLD	Cold / ambient water mixed with concentrate (set ratio to 0% for just cold water)
RTD	Ready to drink, undiluted concentrate
OFF	Button non-active
PRI	Triggers second control box, in case of 2 control boxes primary must be one connected to the front

% Concentrate	Water to Coffee ratio
20%	4:1
10%	9:1

## Boiler setup



3 finger press long hold

Set mode to UC MIX both

Factory preset		
Mode:	UC MIX BOTH	
Temp units:	°C	
Next	-	+

3 finger press short hold

All temperatures the same and volumes to 0

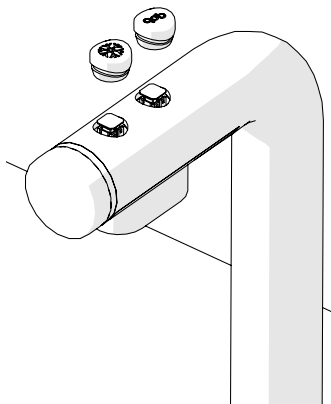
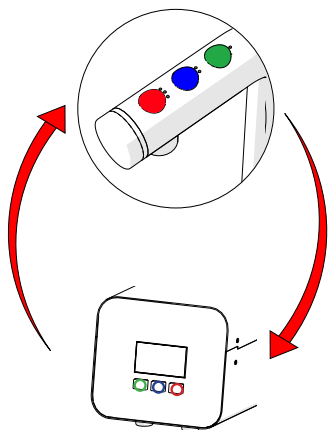
✔		
90°	90°	90°
0ml	0ml	0ml

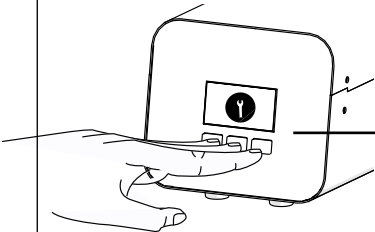
Volumes must be calibrated, go to page 10

# User Setup

Programmable buttons

Program and change buttons accordingly



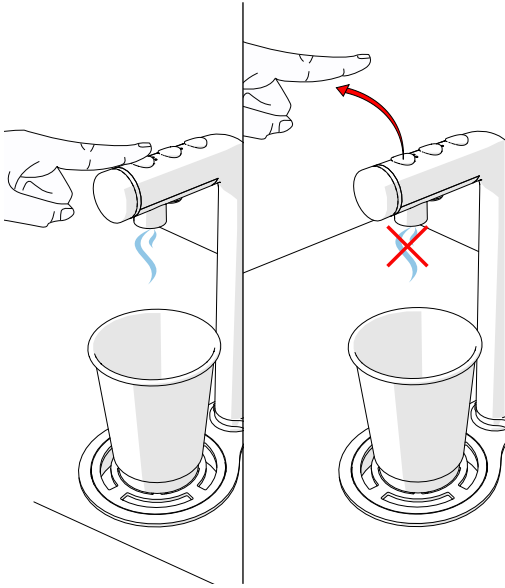


**3 finger press  
long hold**

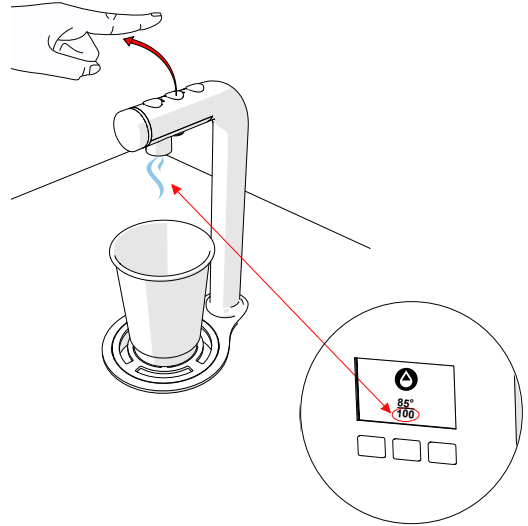
<b>Calibrate conc pump</b>	
Calibrate Cold water	
Calibrate Hot water	
RTD speed	
<b>Next</b>	<b>Go</b>

## Operating Font

### 1. Push & Hold



### 2. Push & Release



## Cleaning & Maintenance



### RISK OF SCALDING

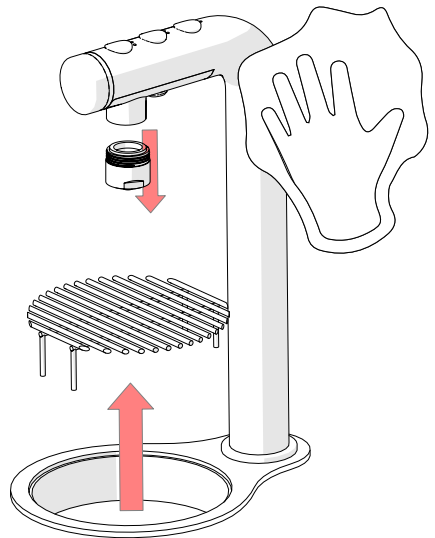
Turn off the boiler before cleaning to prevent accidental triggering of a dispense.

Beware of accidentally operating the font – especially when cleaning around the push buttons.

The exterior of this font may be cleaned with a damp cloth and a light detergent.

Twist off and wash out flow straightener.

Do not use abrasive cloths or creams, as this will spoil the finish of the font.



Marco Beverage Systems Limited.  
63d Heather Road,  
Sandyford Industrial Estate,  
Dublin 18  
t: +353 (0)1 295 2674  
f: +353 (0)1 295 3715  
e: sales@marco.ie  
[www.marco beveragesystems.com](http://www.marco beveragesystems.com)

