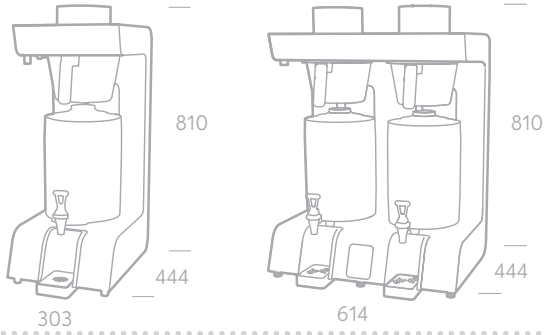




<p>JET 6 2.8kW 1000851US JET 6 5.6kW 1000850US</p>	<p>JET TWIN 1000855US</p>	<p>DIMENSIONS</p>
		
<ul style="list-style-type: none"> > Single (1.5 gallon) or Twin (3 gallon) options > Pre-set recipe and volume options > Variable batch volumes > Basket safety lock during brewing 		<ul style="list-style-type: none"> > Operator friendly and easy-to-use > Vacuum insulated urn for energy-efficiency and temperature retention > Two power options

ASSOCIATED PRODUCTS
(SOLD SEPARATELY)

REQUIRED	OPTIONAL
<p>JET URN 1700204</p>	<p>HANDS-FREE URN TAP ADAPTER 2100500</p>
	

PRECISE, PROGRAMMABLE BATCH
BREWER FOR HIGHER VOLUME
REQUIREMENTS.

NAME	ORDER CODE
Hands-Free Urn Tap Adapter	2100500
Jet Filter Papers - Case of 500	8000151

ACCESSORIES

BREWERS

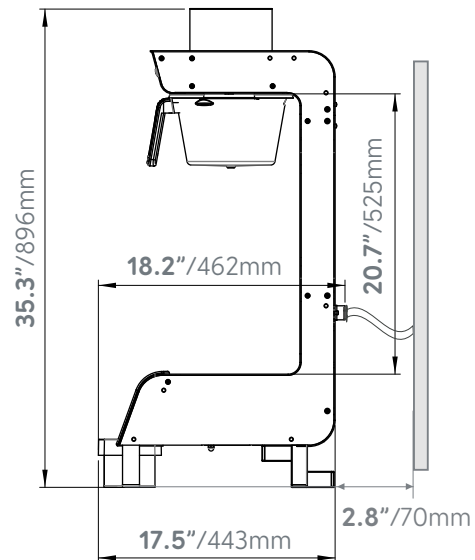
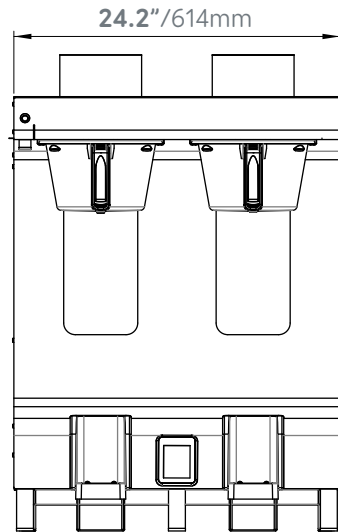
PRODUCT INFO	PERFORMANCE SPECS	SIZE	PLUMBING & ELECTRICAL REQS			PACKAGING		
NAME ORDER CODE	FULL BREW	DIMENSIONS (D x W x H inches)	POWER @ 230V	PLUMBING REQS	NEMA	PACKED WEIGHT	PACKAGING DIMENSIONS (L x W x H inches)	QTY / PALLET
Jet 6 2.8kW 1000851US	1.5 GAL	16.9 x 11.9 x 33	2.8kW	3/8" Compression or 3/8" John Guest	L6-20P	52.9lb	19.6 x 15.7 x 35.4	6
Jet 6 5.6kW 1000850US			5.6kW		L6-30P			
Jet Twin 1000855US	1.5 GAL (per urn)	18.2 x 24.2 x 35.3				106lb	19.6 x 27.9 x 36.2	2

ACCESSORIES

PRODUCT INFO	SIZE	PACKAGING		
NAME ORDER CODE	DIMENSIONS (D x W x H inches)	PACKED WEIGHT	PACKAGING DIMENSIONS (L x W x H inches)	QTY / PALLET
Jet Urn 1700204	16.5 x 9.6 x 22.4	15.4lbs	25.1 x 12.2 x 17.3	16

JET TWIN BATCH BREWER

JET TWIN
1000855US



VENTILATION REQUIREMENTS

- Back: 70mm/2.7"
- Sides: 50mm/1.9"

Clearance required around machine if installed in an enclosed cabinet.

ELECTRICAL INSTALLATION PROCEDURE

When installing the machine, always observe the local regulations and standards. The appliance is supplied with a NEMA L6-30P power cord. A suitable mains power supply socket should be available within easy access of the appliance so that it can be disconnected easily after install.

PLUMBING INSTALLATION PROCEDURE

- Ensure that the equipment is installed according to local plumbing & water regulations.
- Mains water pressure required (limits): 8 -145psi (55 -1000kPa, 0.05 - 1MPa).
- The inlet water must be potable and free of contaminants.

- Requires inline water filter within your water specifications.
- The machine is supplied with a 3/8" Compression or 3/8" John Guest.
- Turn on the water to flush any impurities, dust etc from the inlet hose and water pipe. Allow several litres through, Especially for new installations.
- Connect the hose to the inlet valve of the machine. Make sure a sealing washer is fitted.
- Turn on water and check for leaks.

OPERATING THE APPLIANCE FOR THE FIRST TIME

- Check that all installation procedures have been carried out.
- Ensure water valve is on. Plug machine into an appropriate electrical supply and switch on the rocker switch under the machine. Follow the instructions on the screen.