

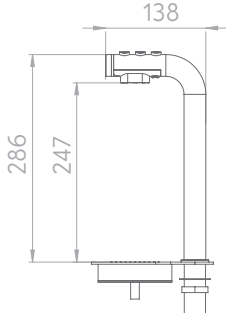
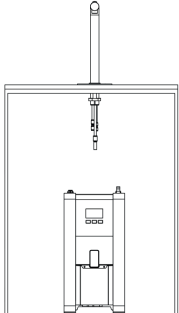




3B MIX FONT WITH UNDERCOUNTER BOILERS



3B MIX FONT 1000879		DIMENSIONS	SYSTEM SET-UP
			
<ul style="list-style-type: none"> > Space-saving countertop font > Vacuum insulated tank for up to 70% more energy-efficiency 		<ul style="list-style-type: none"> > Dispense three volumes and three temperatures from one boiler 	

MIX UC3 1000880	MIX UC8 1000887
	
OR	

FONT

NAME ORDER CODE	DIMENSIONS INCL. DRIP TRAY (D x W x H mm)	DIMENSIONS EXCL. DRIP TRAY (D x W x H mm)	TAP TO COUNTER (T mm)
3b MIX Font 1000879	168 x 120 x 287	138 x 30 x 287	247

BOILERS

PRODUCT INFO	WATER TYPE		SIZE DIMENSIONS	PERFORMANCE SPECS			PLUMBING & ELECTRICAL REQS	
	MULTI-TEMP	ADJUSTABLE TEMP	DIMENSIONS (D x W x H mm)	IMMEDIATE DRAW OFF	L/HR	CUPS /HR	POWER @220v	PLUMBING REQS
MIX UC3 1000880	Y	Y	385 x 210 x 444	3L	28L	156	2.8kW	3/4" BSP
MIX UC8 1000887			385 x 210 x 617	8L				

PACKAGING

NAME ORDER CODE	PACKAGING DIMENSIONS (L x W x H mm)	PACKED WEIGHT	QTY / PALLET
MIX UC3 1000880	450 x 290 x 540	11kg	18
MIX UC8 1000887	450 x 290 x 700	14kg	24
3b MIX Font 1000879	290 x 570 x 215	2kg	30



MIX 3 BUTTON FONT WITH MIX UC3/UC8		
COUNTER CUT-OUT WITH DRIP TRAY	MIX 3b FONT 1000879	
	MIX UC3 1000880	MIX UC8 1000887
	<p>* Hosing should be trimmed to ensure continuous drop from font to boiler</p>	<p>* Hosing should be trimmed to ensure continuous drop from font to boiler</p>
<p>VENTILATION REQUIREMENTS</p> <p>50mm/1.9" clearance required at each side and back of machine if installed in an enclosed cabinet.</p> <p>ELECTRICAL INSTALLATION PROCEDURE</p> <p>When installing the machine, always observe the local regulations and standards. The standard machine is supplied with a UK 3-pin plug. For EU models a 2-pin CEE-7 plug will be supplied. US models will be supplied with the suitable plug. A suitable mains power supply socket should be available within easy access of the appliance so that it can be disconnected easily after install.</p> <p>PLUMBING INSTALLATION PROCEDURE</p> <ul style="list-style-type: none"> • Ensure that the equipment is installed according to local plumbing & water regulations. • Mains water pressure required (limits): 14.5 - 145psi (100 - 1000kPa, 0.1 - 1MPa). • Requires inline water filter within your water specifications. • The machine is supplied with a 3/4" BSP connection. • Turn on the water to flush any impurities, dust etc from the inlet hose and water pipe. Allow several litres through. Especially for new installations. 	<ul style="list-style-type: none"> • Connect the hose to the inlet valve of the boiler. Make sure a sealing washer is fitted. • Turn on water and check for leaks. <p>OPERATING BOILER FOR THE FIRST TIME</p> <ul style="list-style-type: none"> • Check that all installation procedures have been carried out. • Ensure water valve is on. • Plug boiler into suitable socket. • Turn on the power switch. • The "Wait" progress circle will be visible on the screen and the machine will fill to a safe level, above the elements, before heating. • The "Ready" tick will come up on screen when the machine is full and up to normal operating temperature (approx. 10/20 mins.). • The boiler is now ready for use - the display will show the button settings and the "Ready" status tick. • The Boiler may now be used to dispense Hot Water to the preset factory settings. <p>NOTE: Because the boiler is electronically controlled no priming is necessary. The element cannot switch on until a safe level of water is reached.</p>	