
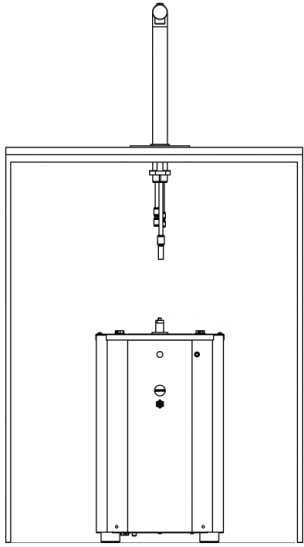


FRIIA COLD HANDS-FREE



HANDS-FREE FONT 1000857US	CHILLER 1000860	SYSTEM SET-UP
		
<ul style="list-style-type: none"> • Cold only • Safe and hygienic: eliminates touchpoint 		

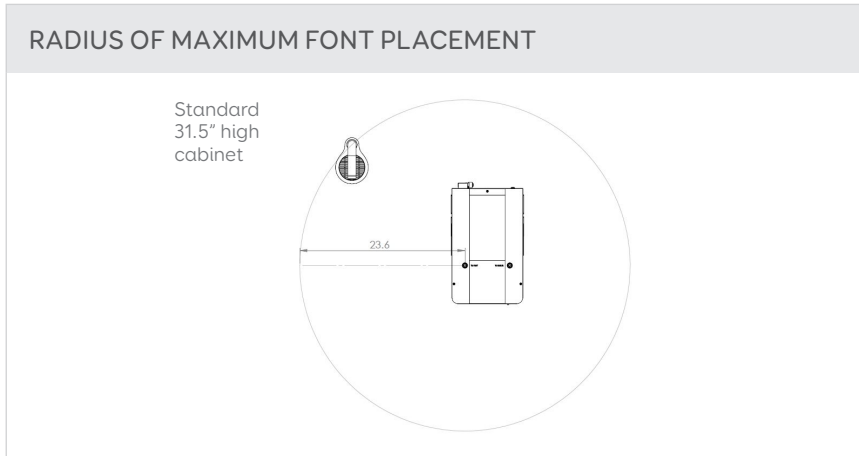
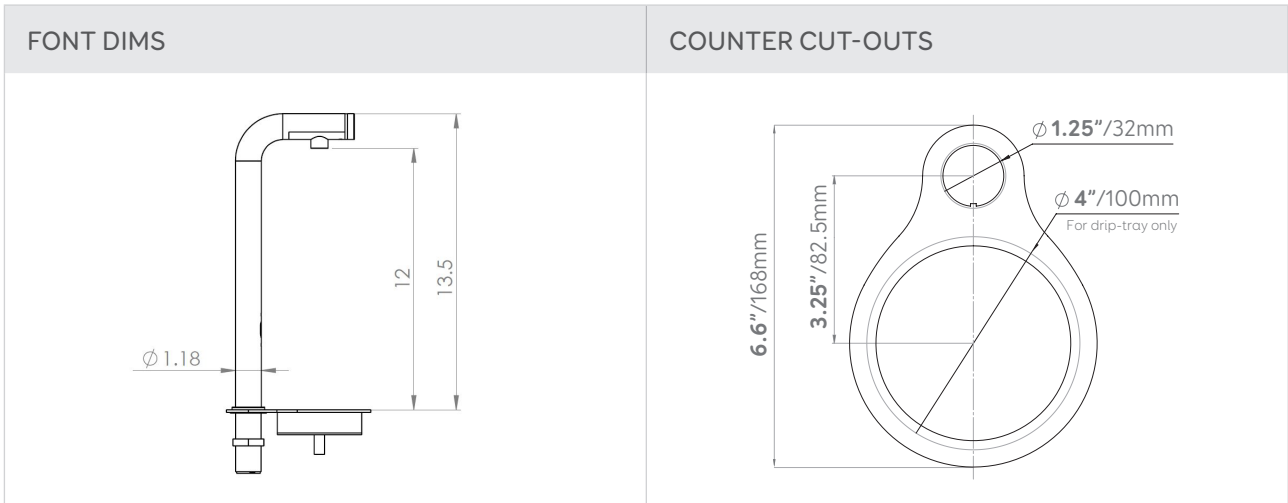
TOUCH-FREE FONT

SIZE			PACKAGING	
DIMENSIONS INC. DRIP TRAY (D X W X H inches)	DIMENSIONS EXCL. DRIP TRAY (D X W X H inches)	TAP TO COUNTER (inches)	PACKAGING DIMENSIONS (L x W x H inches)	WEIGHT
6.6 x 4.9 x 13.6	5 x 1.1 x 13.6	12	11.4 x 22.4 x 8.4	4.4lbs

CHILLER

SIZE	PERFORMANCE SPECS		PLUMBING, ELECTRICAL AND TECHNICAL SPECS					PACKAGING	
DIMENSIONS (D X W X H inches)	GAL /HR	CUPS /HR	POWER	PLUMBING REQS	COMPRESSOR POWER	CHARGE	REFRIGERANT	PACKAGING DIMENSIONS (L x W x H inches)	WEIGHT
18.6 x 10.3 x 18.8	7.9-11.8 GALS/hr based on incoming water temp of 59°F and output water temp of 41-44°F	175-235 (ΔT = 18 °F)	180 W	3/8" Compression or 3/8" John Guest	1/8hp	45g	R290	19.2 x 11.8 x 20.2	TBD

FRIIA COLD HANDS-FREE



OPERATING ENVIRONMENT

Cannot exceed temperature of 95°F

CABINET

Min: 31.5" (h) x 23.6" (w) x 23.6" (d)
with 3.9" clearance around machines all sides

PLEASE NOTE It is essential to allow for two ventilation points when installing FRIIA. Vents are not supplied.

