
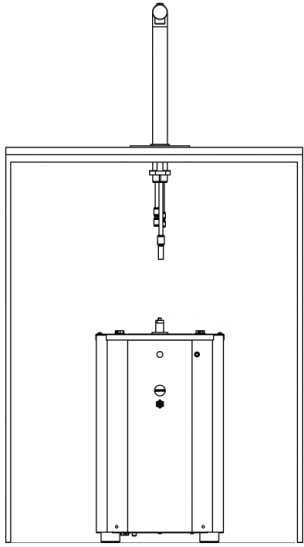


FRIIA COLD HANDS-FREE



HANDS-FREE FONT 1000857	CHILLER 1000860	SYSTEM SET-UP
		
<ul style="list-style-type: none"> • Cold only • Safe and hygienic: eliminates touchpoint 		

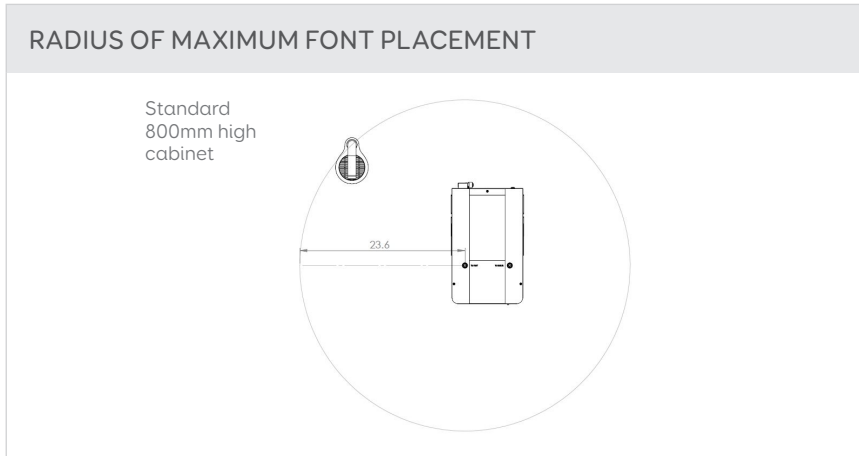
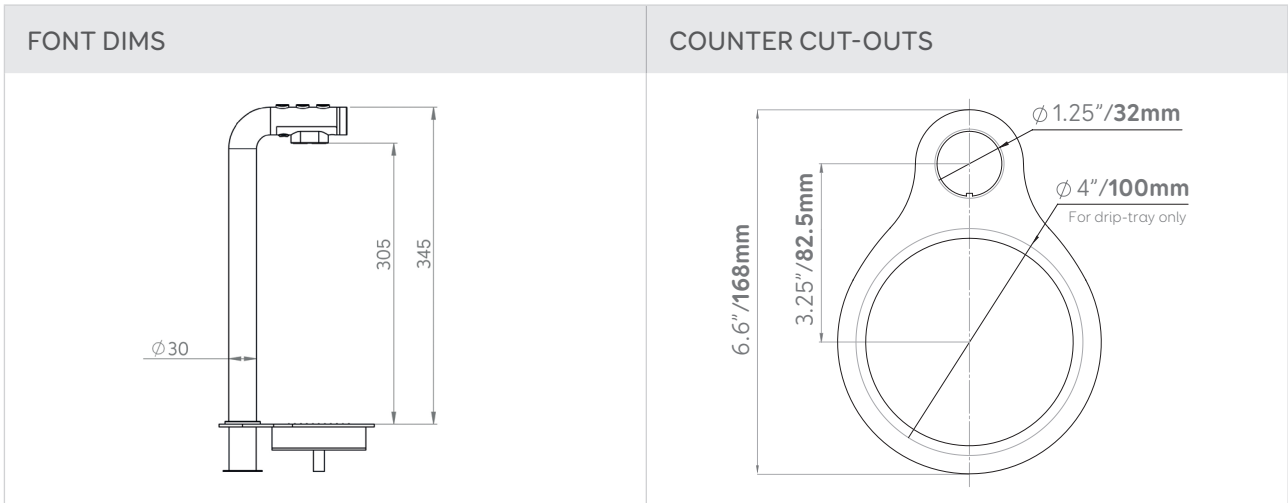
TOUCH-FREE FONT

SIZE			PACKAGING	
DIMENSIONS INC. DRIP TRAY (D X W X H mm)	DIMENSIONS EXCL. DRIP TRAY (D X W X H mm)	TAP TO COUNTER (mm)	PACKAGING DIMENSIONS (L x W x H mm)	WEIGHT
168 x 120 x 345	128 x 30 x 345	305	290 x 570 x 215	1.65kg

CHILLER

SIZE	PERFORMANCE SPECS		PLUMBING, ELECTRICAL AND TECHNICAL SPECS					PACKAGING	
DIMENSIONS (D X W X H mm)	L/HR	CUPS /HR	POWER @220v	PLUMBING REQS	COMPRESSOR POWER	CHARGE	REFRIGERANT	PACKAGING DIMENSIONS (L x W x H mm)	WEIGHT
436 x 259 x 455	30-40l/hr based on incoming water temp of 15°C and output water temp of 5-7°	175-235 (ΔT = 10 °C)	180 W	3/4" BSP	1/8hp	45g	R290	500 x 320 x 520	31kg

FRIIA COLD HANDS-FREE



OPERATING ENVIRONMENT

Cannot exceed temperature of 35°C

CABINET

Min: 800mm (h) x 600mm (w) x 600mm (d) with 100mm clearance around machines all sides

PLEASE NOTE It is essential to allow for two ventilation points when installing FRIIA. Vents are not supplied.

