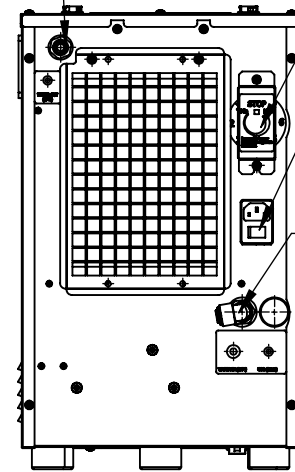


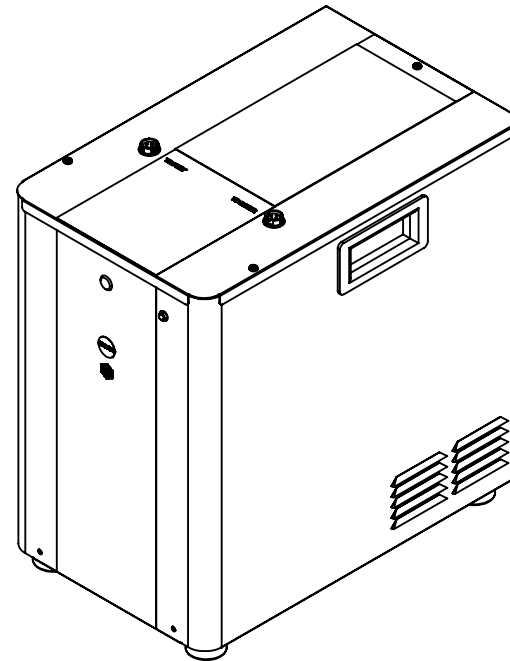
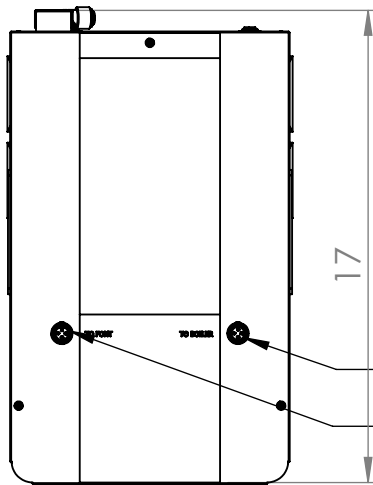
Water Out
To Font 1/4"



Thermostat

On/Off

Water in 3/8"



UNLESS OTHERWISE SPECIFIED:
DIMENSIONS ARE IN MILLIMETERS
TOLERANCES: LINEAR: +/-0.2mm
ANGULAR: +/-0.5°

DESCRIPTION: FRIIA Cold Only

DWG NO.: 1001860

MATERIAL:

DRAWN BY: BB

APPROVED BY: DW

REVISION: a

CO:

29/10/20

29/10/20

SCALE: 1:10