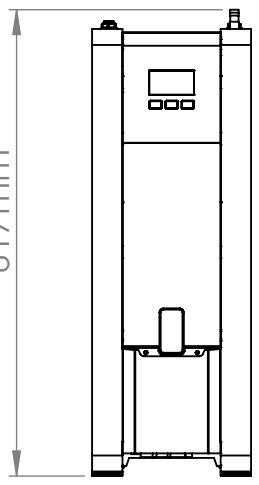
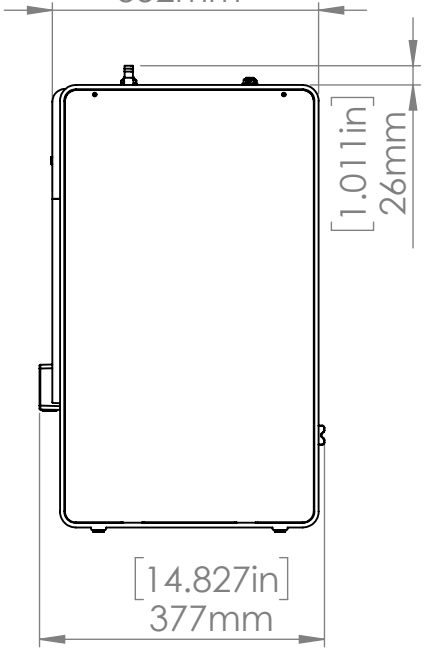


[24.281in]
617mm



[13.862in]
352mm

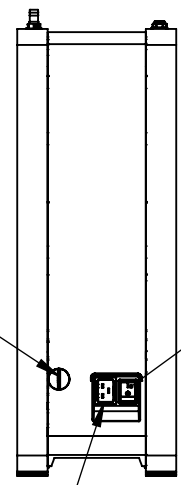


[1.011in]
26mm

[14.827in]
377mm

Pull out drain

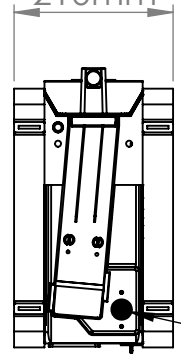
Off/On switch



Water connection
to front

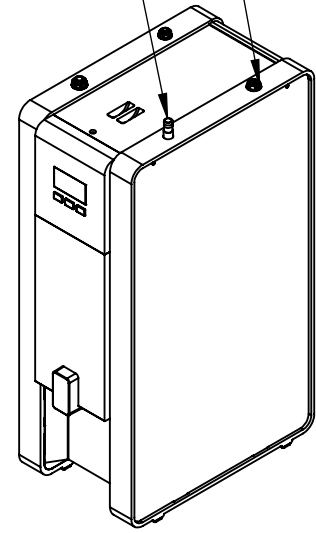
Electrical connection
(DIN) to front

[8.268in]
210mm



Power connector
(IEC C20 to NEMA 5-15 moulded plug)

Water inlet (3/4" BSP to 9/16"-24 UNEF)



UNLESS OTHERWISE SPECIFIED:
DIMENSIONS ARE IN MILLIMETERS
TOLERANCES: LINEAR: +/-0.2mm
ANGULAR: +/-0.5°

DESCRIPTION:	1001887US - MIX UC8 110V
DWG NO.:	1001887US
MATERIAL:	

DRAWN BY	SF	20/05/20
APPROVED BY	DW	20/05/20
REVISION	a	CO:

SCALE: 1:20