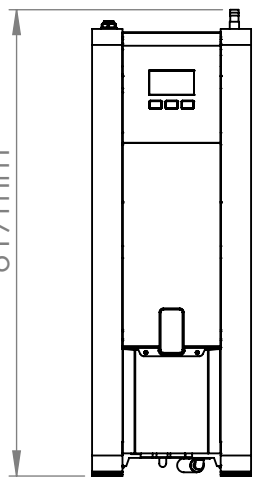
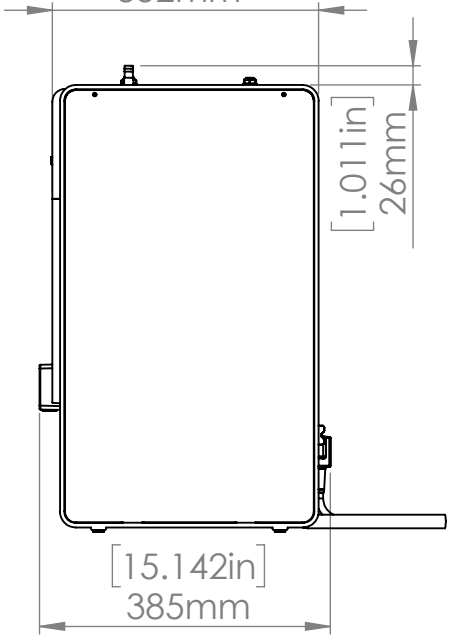


[24.281in]
617mm



[13.862in]
352mm

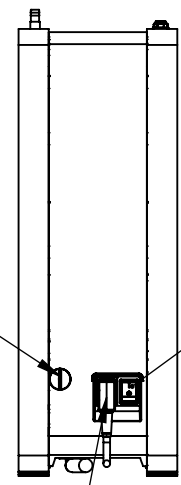


[1.011in]
26mm

[15.142in]
385mm

Pull out drain

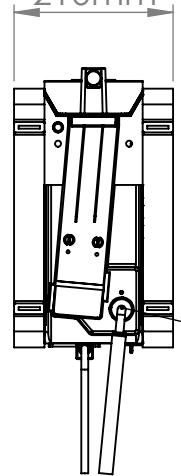
Off/On switch



Water connection
to front

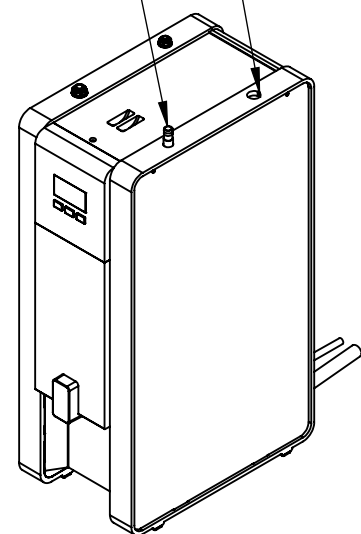
Electrical connection
(DIN) to front

[8.268in]
210mm



Power connector
(IEC C19 socket to 2.8kW 13A moulded plug)

Water inlet (3/4" BSP)



marco

DESCRIPTION:	1000887 Mix UC8 General Aspect	DRAWN BY	RP	29/01/2018
DWG NO.:	1000887-GA	APPROVED BY	DW	
Dimensions	mm & inches	REVISION	a	CO: 416