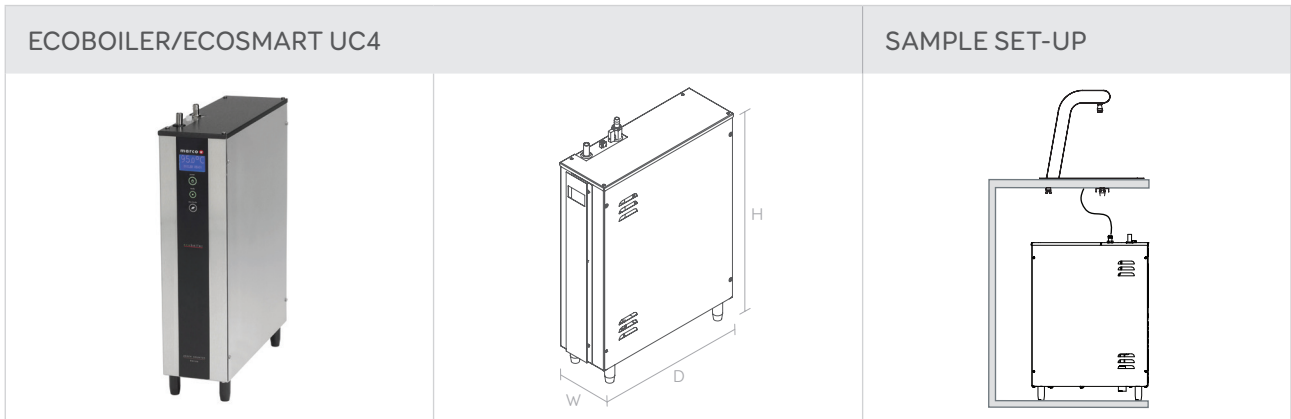






ECOBOILER/ECOSMART UC4



FONTS

	PRODUCT INFO	FONT DIMENSIONS			PACKAGING		
		NAME ORDER CODE	DIMENSIONS INCL. DRIP TRAY (D x W x H inches)	DIMENSIONS EXCL. DRIP TRAY (D x W x H inches)	TAP TO COUNTER (T inches)	PACKED WEIGHT	PACKAGING DIMENSIONS (L x W x H inches)
	1b MIX Font 1000878	6.6 x 4.9 x 11.8	5 x 1.1 x 11.8	9.7	4.4lbs	11.4 x 22.4 x 8.4	30
OR 	Über Font 1000811	18.5 x 9.8 x 15.7	n/a	11.5	17.6lb	19.2 x 11 x 26.3	18
OR 	Über Font (Low) 1000811L	18.5 x 9.8 x 10.7		6.8			
OR 	Tubular Font 1000584	4.5 x 1.9 x 11.9	n/a	6.1	5.5lb	9.4 x 5.5 x 13.3	18

BOILERS

NAME ORDER CODE	WATER TYPE	TEMP ADJUST	SIZE	PERFORMANCE SPECS			PLUMBING & ELECTRICAL REQS			PACKAGING		
				DIMENSIONS (D x W x H inches)	IMMEDIATE DRAW OFF	GAL /HR	CUPS /HR	POWER @220V	NEMA	PLUMBING REQS	PACKAGING DIMENSIONS (L x W x H inches)	PACKED WEIGHT
Ecosmart UC4 1000750	Y		15.5 x 5.3 x 23	1 GAL	7.3	156	2.4kW	L6-20P	3/8" Compression or 3/8" John Guest	19.7 x 9.4 x 27	24lbs	20
Ecoboiler UC4 110v 1000740	N				3.6	75	1.4kW @110v	5-15p				