
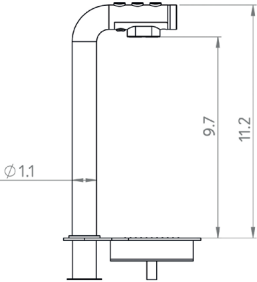
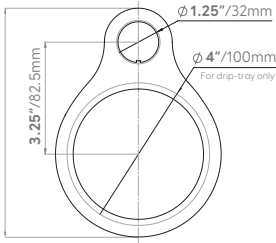
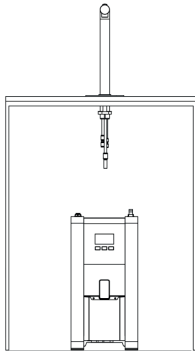


# MIX FONTS WITH UNDERCOUNTER BOILERS



MIX FONT	DIMENSIONS	COUNTER CUT-OUTS	SYSTEM SET-UP		
 <p><b>FONT VARIANTS</b></p> <table border="1"> <tr> <td><b>1b MIX Font</b> 1000878</td> <td><b>3b MIX Font</b> 1000879</td> </tr> </table> <ul style="list-style-type: none"> <li>Vacuum insulated tank for up to 70% more energy-efficiency</li> <li>Space-saving countertop fonts</li> </ul>	<b>1b MIX Font</b> 1000878	<b>3b MIX Font</b> 1000879			
<b>1b MIX Font</b> 1000878	<b>3b MIX Font</b> 1000879				

MIX UC3 - 220v/110v 1000880US/1001880US	MIX UC8 - 220v/110v 1000887US/1001887US	ECOSMART UC4 1000750US	ECOBOILER UC4 - 110v 1000740US
	OR 	OR 	OR 

FONTS

NAME ORDER CODE	DIMENSIONS INCL. DRIP TRAY (D x W x H inches)	DIMENSIONS EXCL. DRIP TRAY (D x W x H inches)	TAP TO COUNTER (T inches)
1b MIX Font 1000878	6.6 x 4.9 x 11.8	5 x 1.1 x 11.8	9.7
3b MIX Font 1000879			

BOILERS

PRODUCT INFO	WATER TYPE		SIZE DIMENSIONS	PERFORMANCE SPECS		PLUMBING & ELECTRICAL REQS		
NAME ORDER CODE	MULTI-TEMP	ADJUSTABLE TEMP	DIMENSIONS (D x W x H inches)	IMMEDIATE DRAW OFF	GAL /HR	POWER @220V	NEMA	PLUMBING REQS
MIX UC3 1000880US	Y	Y	15.1 x 8.2 x 17.4	0.8 GAL	7.3 GAL	2.8kW	L6-20P	3/8" Compression or 3/8" John Guest
MIX UC3 - 110v 1001880US					3.6 GAL	1.4@110v	5-15p	
MIX UC8 1000887			15.1 x 8.2 x 24.2	2.1 GAL	7.3 GAL	2.8kW	L6-20P	
MIX UC8 - 110v 1001887US					3.6 GAL	1.4kW@110v	5-15p	
Ecosmart UC4 1000750US	N	N	15.5 x 5.3 x 23	1 GAL	7.3 GAL	2.4kW	L6-20P	
Ecoboiler UC4 - 110v 1000740					3.6 GAL	1.4kW@110v	5-15p	

PACKAGING

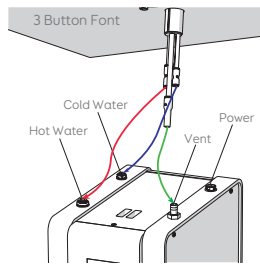
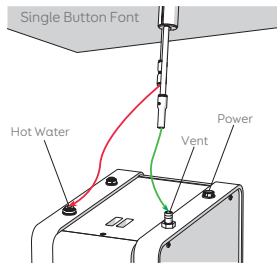
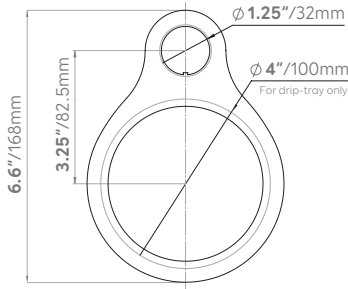
NAME ORDER CODE	PACKAGING DIMENSIONS (L x W x H inches)	PACKED WEIGHT	QTY / PALLET
MIX UC3 - 220v/110v 1000880US / 1001880US	17.7 x 11.4 x 21.2	25lbs	24
MIX UC8 - 220v/110v 1000887US / 1001887US	17.7 x 11.4 x 27.5	30.8lbs	18
Ecosmart UC/Ecoboiler UC4 1000750/1000740	19.7 x 9.4 x 27	24lbs	20

NAME ORDER CODE	PACKAGING DIMENSIONS (L x W x H inches)	PACKED WEIGHT	QTY / PALLET
1b MIX Font 1000878	11.4 x 22.4 x 8.4	4.4lbs	30
3b MIX Font 1000879			



## MIX 1 OR 3 BUTTON FONTS WITH MIX UC3/UC8

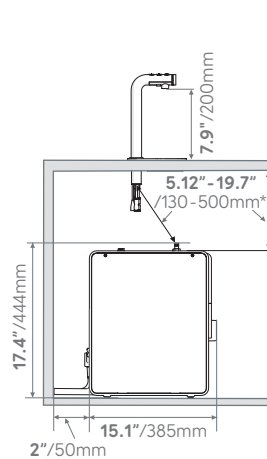
### COUNTER CUT-OUT WITH DRIP TRAY



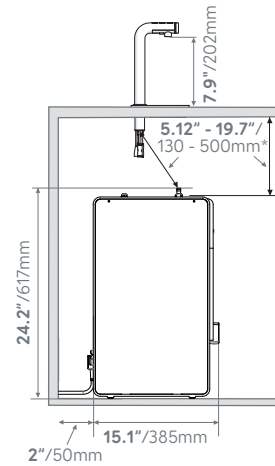
MIX 3 BUTTON FONT 1000879  
MIX 1 BUTTON FONT 1000878

MIX UC3 1000880US

MIX UC8 1000887US



\* Hosing should be trimmed to ensure continuous drop from font to boiler



\* Hosing should be trimmed to ensure continuous drop from font to boiler

### VENTILATION REQUIREMENTS

50mm/1.9" clearance required at each side and back of machine if installed in an enclosed cabinet.

### ELECTRICAL INSTALLATION PROCEDURE

When installing the machine, always observe the local regulations and standards. The appliance is supplied with a NEMA L6-20P moulded power cord. A suitable mains power supply socket should be available within easy access of the appliance so that it can be disconnected easily after install.

### PLUMBING INSTALLATION PROCEDURE

- Ensure that the equipment is installed according to local plumbing & water regulations.
- Mains water pressure required (limits): 14.5 - 145psi (100 -1000kPa, 0.1 - 1MPa).
- Requires inline water filter within your water specifications.
- The machine requires either a 3/8" compression, or 3/8" John Guest water connection.
- Turn on the water to flush any impurities, dust etc from the inlet hose and water pipe. Allow several litres through. Especially for new installations.

- Connect the hose to the inlet valve of the boiler. Make sure a sealing washer is fitted.
- Turn on water and check for leaks.

### OPERATING BOILER FOR THE FIRST TIME

- Check that all installation procedures have been carried out.
- Ensure water valve is on.
- Plug boiler into suitable socket.
- Turn on the power switch.
- The "Wait" progress circle will be visible on the screen and the machine will fill to a safe level, above the elements, before heating.
- The "Ready" tick will come up on screen when the machine is full and up to normal operating temperature (approx. 10/20 mins.).
- The boiler is now ready for use - the display will show the button settings and the "Ready" status tick.
- The Boiler may now be used to dispense Hot Water to the preset factory settings.

**NOTE:** Because the boiler is electronically controlled no priming is necessary. The element cannot switch on until a safe level of water is reached.