
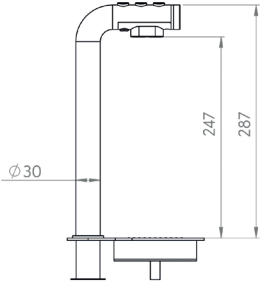
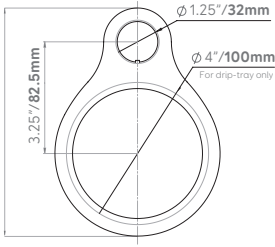
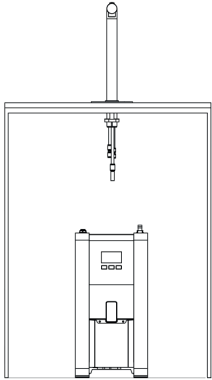


MIX FONTS WITH UNDERCOUNTER BOILERS



MIX FONT	DIMENSIONS	COUNTER CUT-OUTS	SYSTEM SET-UP		
 <p>FONT VARIANTS</p> <table border="1"> <tr> <td>1b MIX Font 1000878</td> <td>3b MIX Font 1000879</td> </tr> </table> <ul style="list-style-type: none"> Vacuum insulated tank for up to 70% more energy-efficiency Space-saving countertop fonts 	1b MIX Font 1000878	3b MIX Font 1000879	 <p>Ø 30 247 287</p>	 <p>Ø 1.25"/32mm Ø 4"/100mm For drip-tray only 6.6"/168mm 3.25"/82.5mm</p>	
1b MIX Font 1000878	3b MIX Font 1000879				

MIX UC3 1000880	MIX UC8 1000887	ECOSMART UC4 1000750	ECOBOILER UC4 1000740
	OR 	OR 	OR 

FONTS

NAME ORDER CODE	DIMENSIONS INCL. DRIP TRAY (D x W x H mm)	DIMENSIONS EXCL. DRIP TRAY (D x W x H mm)	TAP TO COUNTER (T mm)
1b MIX Font 1000878	168 x 120 x 287	128 x 30 x 287	247
3b MIX Font 1000879			

BOILERS

PRODUCT INFO	WATER TYPE		SIZE DIMENSIONS	PERFORMANCE SPECS			PLUMBING & ELECTRICAL REQ	
NAME ORDER CODE	MULTI-TEMP	ADJUSTABLE TEMP	DIMENSIONS (D x W x H mm)	IMMEDIATE DRAW OFF	L/HR	CUPS /HR	POWER @220v	PLUMBING REQS
MIX UC3 1000880	Y	Y	385 x 210 x 444	3L	28L	156	2.8kW	3/4" BSP
MIX UC8 1000887			385 x 210 x 617	8L				
Ecosmart UC4 1000750	N	N	395 x 135 x 585	4L	24L	133	2.8kW	
Ecoboiler UC4 1000740								

PACKAGING

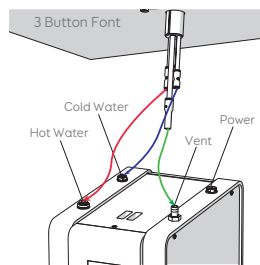
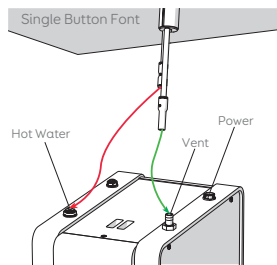
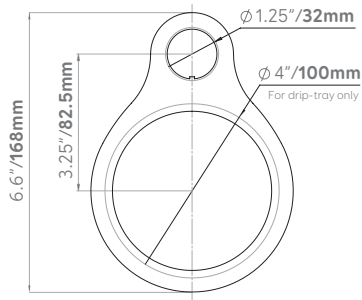
NAME ORDER CODE	PACKAGING DIMENSIONS (L x W x H mm)	PACKED WEIGHT	QTY / PALLET
MIX UC3 1000880	450 x 290 x 540	11kg	18
MIX UC8 1000887	450 x 290 x 700	14kg	24
Ecosmart UC/Ecoboiler UC4 1000750/1000740	510 x 240 x 690	11kg	20

NAME ORDER CODE	PACKAGING DIMENSIONS (L x W x H mm)	PACKED WEIGHT	QTY / PALLET
1b MIX Font 1000878	290 x 570 x 215	2kg	30
3b MIX Font 1000879	290 x 570 x 215	2kg	30



MIX 1 OR 3 BUTTON FONTS WITH MIX UC3/UC8

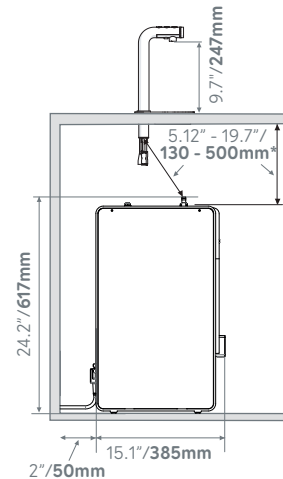
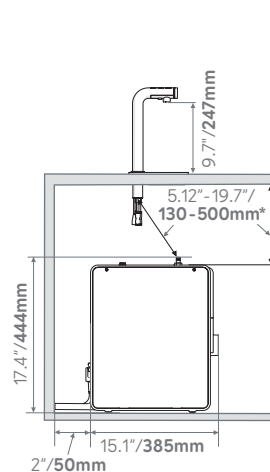
COUNTER CUT-OUT WITH DRIP TRAY



MIX 3 BUTTON FONT 1000879
MIX 1 BUTTON FONT 1000878

MIX UC3 1000880

MIX UC8 1000887



* Hosing should be trimmed to ensure continuous drop from font to boiler

* Hosing should be trimmed to ensure continuous drop from font to boiler

VENTILATION REQUIREMENTS

50mm/1.9" clearance required at each side and back of machine if installed in an enclosed cabinet.

ELECTRICAL INSTALLATION PROCEDURE

When installing the machine, always observe the local regulations and standards. The standard machine is supplied with a UK 3-pin plug. For EU models a 2-pin CEE-7 plug will be supplied. US models will be supplied with the suitable plug. A suitable mains power supply socket should be available within easy access of the appliance so that it can be disconnected easily after install.

PLUMBING INSTALLATION PROCEDURE

- Ensure that the equipment is installed according to local plumbing & water regulations.
- Mains water pressure required (limits): 14.5 - 145psi (100 - 1000kPa, 0.1 - 1MPa).
- Requires inline water filter within your water specifications.
- The machine is supplied with a 3/4" BSP connection.
- Turn on the water to flush any impurities, dust etc from the inlet hose and water pipe. Allow several litres through. Especially for new installations.

- Connect the hose to the inlet valve of the boiler. Make sure a sealing washer is fitted.
- Turn on water and check for leaks.

OPERATING BOILER FOR THE FIRST TIME

- Check that all installation procedures have been carried out.
- Ensure water valve is on.
- Plug boiler into suitable socket.
- Turn on the power switch.
- The "Wait" progress circle will be visible on the screen and the machine will fill to a safe level, above the elements, before heating.
- The "Ready" tick will come up on screen when the machine is full and up to normal operating temperature (approx. 10/20 mins.).
- The boiler is now ready for use - the display will show the button settings and the "Ready" status tick.
- The Boiler may now be used to dispense Hot Water to the preset factory settings.

NOTE: Because the boiler is electronically controlled no priming is necessary. The element cannot switch on until a safe level of water is reached.