

# Contents

1. Font Box Contents.....	2
2. Counter Cut-Out.....	2
3. Installation.....	4
No Drip Tray.....	4
Drip Tray.....	5
Connecting Hoses.....	6
4. Operating Font.....	7
5. Cleaning & Maintenance.....	7

---

## Font Box Contents

### 3 & 4 Button Models

- MIX Font
- Vent Hosing
- Hot Water Hose
- Cold Water Hose
- Instruction Manual
- Button Identifier Tag
- Button Identifier Clip

### Single Button Model

- MIX Font
- Vent Hosing
- Hot Water Hose
- Instruction Manual
- SP9 Adaptor Kit

## Counter Cut Out

- The 105mm / 4 1/8" cut out is only required for the font with drip tray.
- The font without drip tray require the 32mm / 1 1/4" cut out only.
- Use a 32mm / 1 1/4" & a 105mm / 4 1/8" circular hole saw piece to make the holes.

# Counter Cut Out

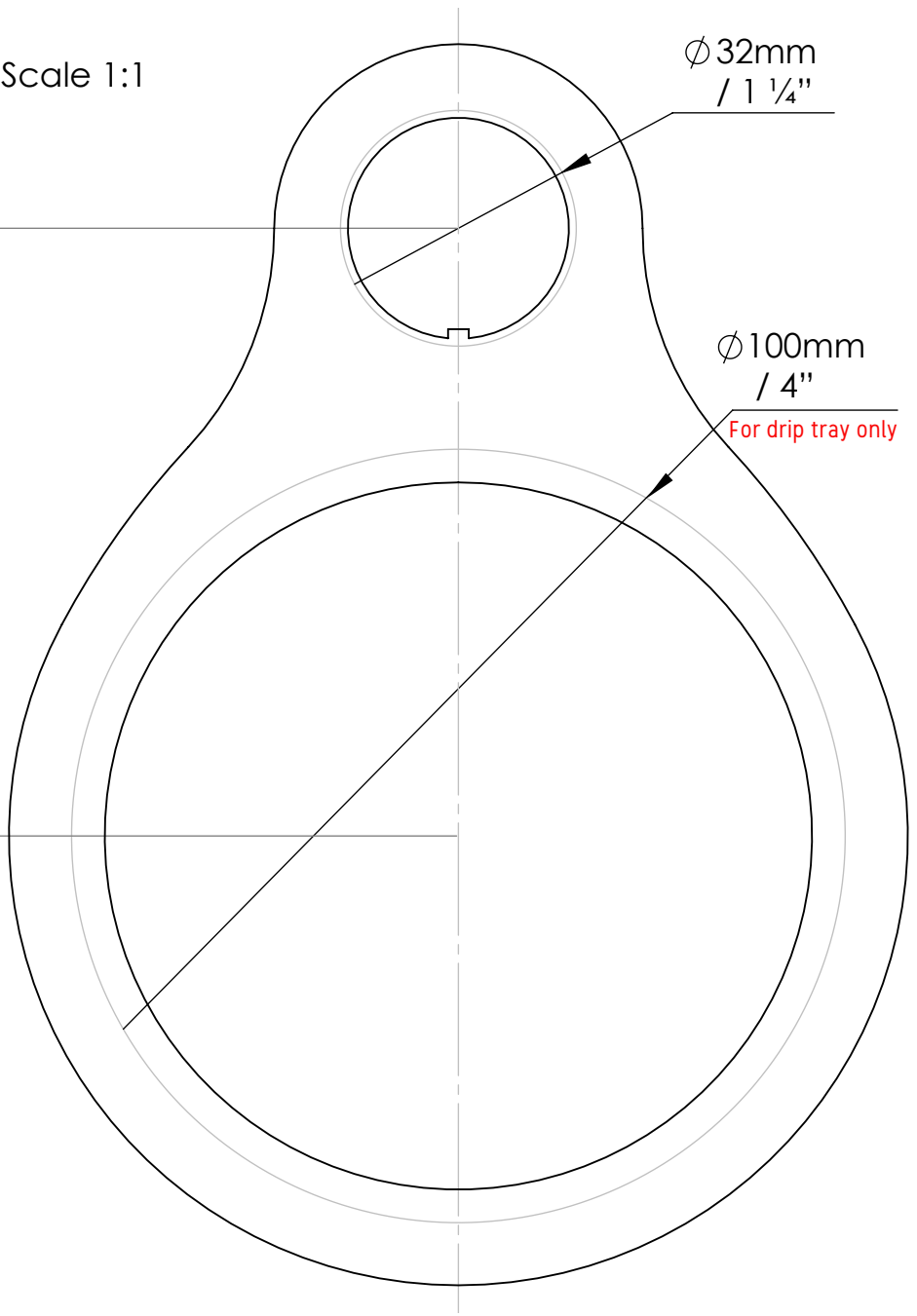
Scale 1:1

$\varnothing 32\text{mm}$   
/ 1 1/4"

$\varnothing 100\text{mm}$   
/ 4"

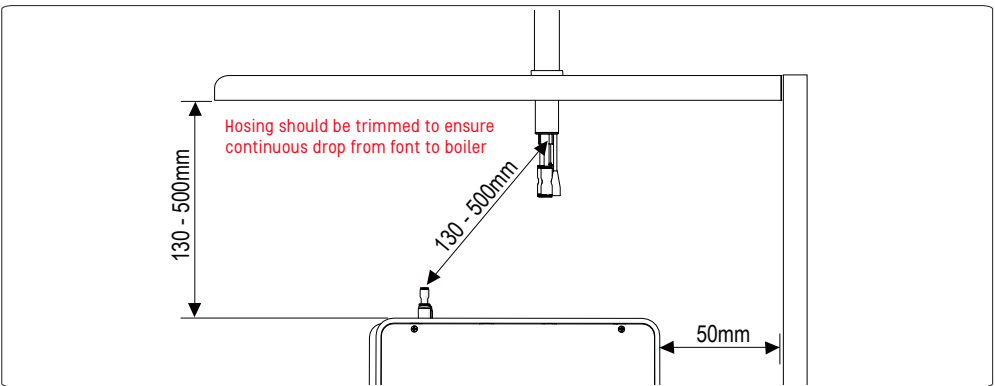
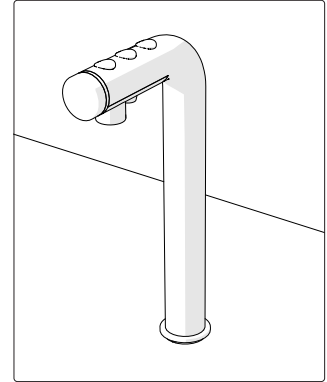
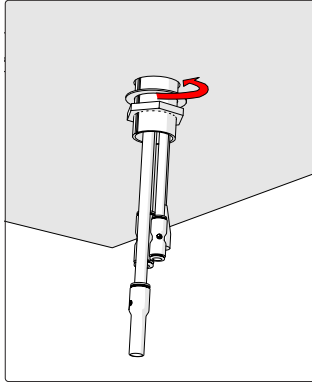
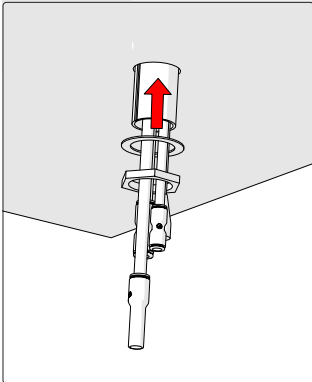
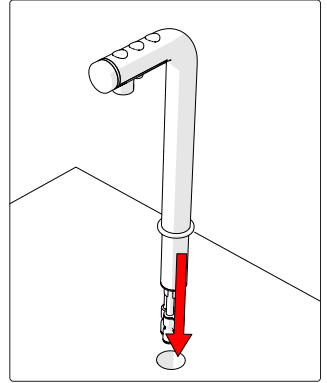
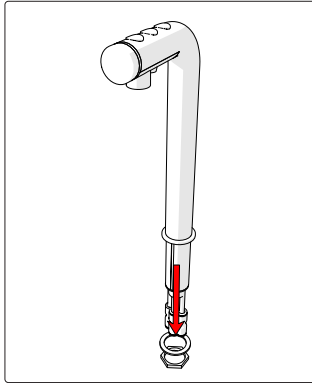
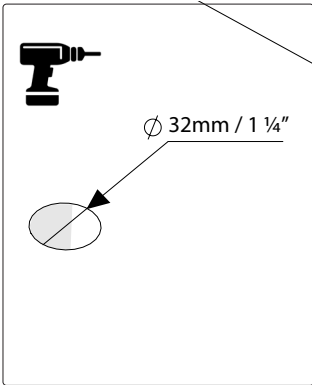
For drip tray only

NOTE: Check scale of template before cutting. Scale should be 1:1



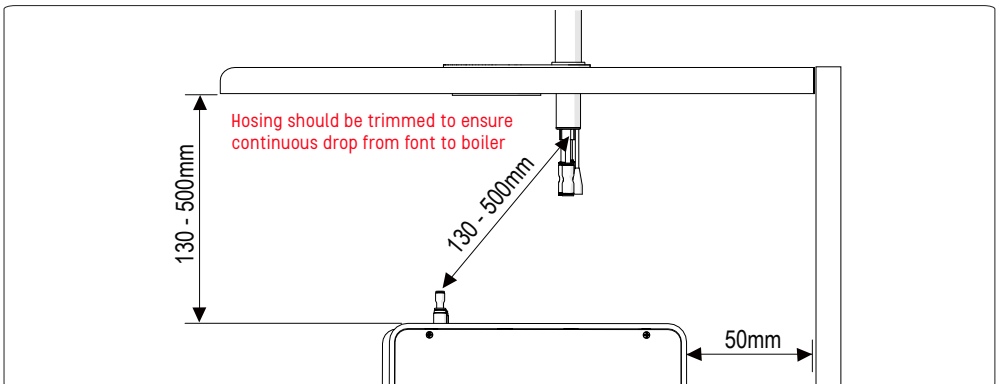
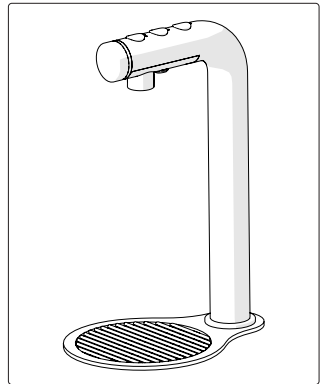
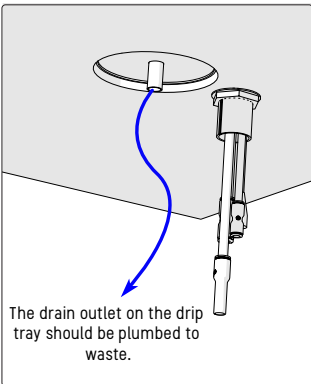
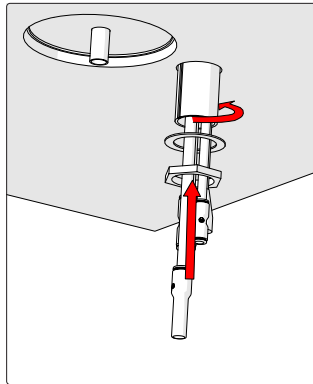
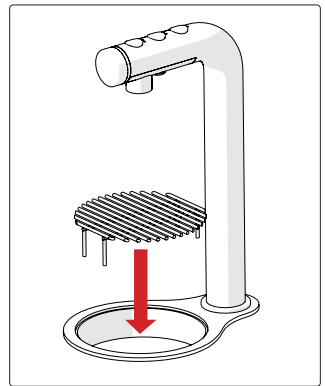
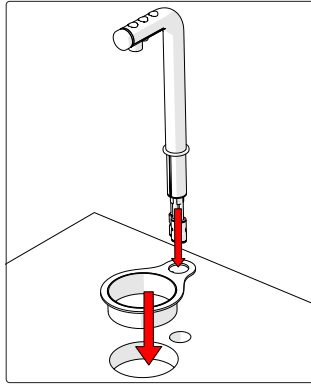
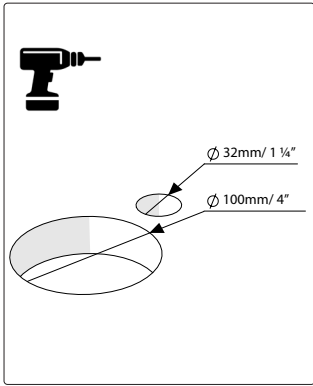
# Installation

## 1. No Drip Tray



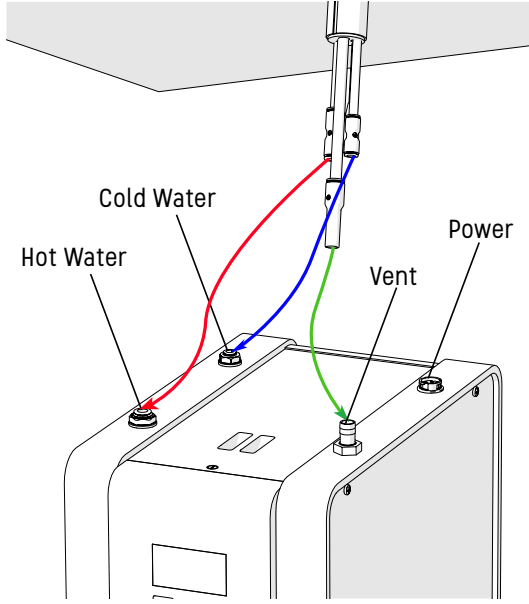
# Installation

## 2. Drip Tray (sold separately p/n. 2300268)

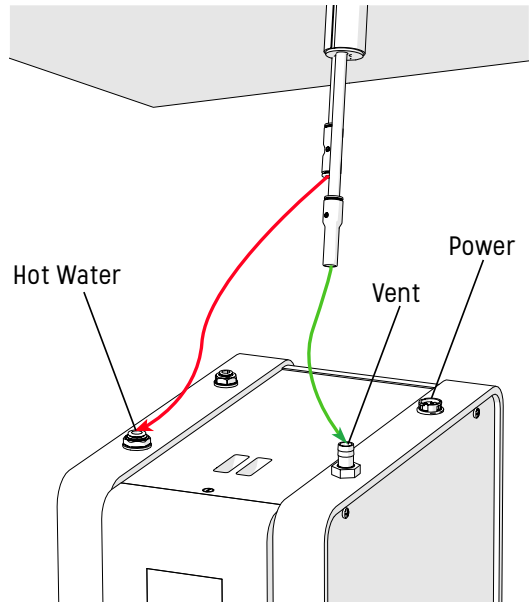


## Connecting Hoses

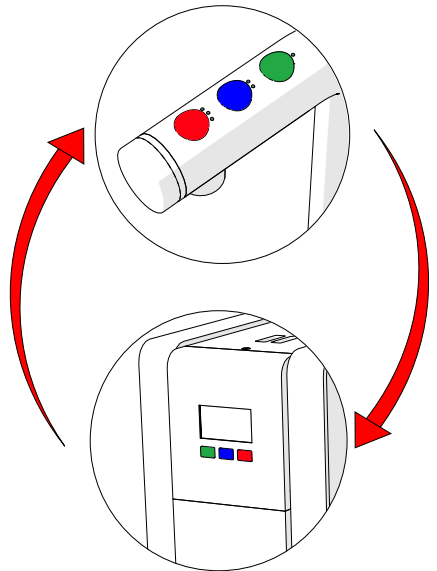
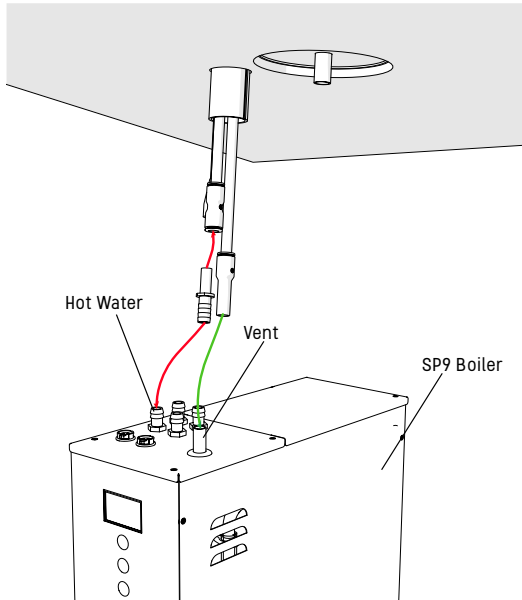
### 3 & 4 Button Font Connections



### Single Button Font Connections

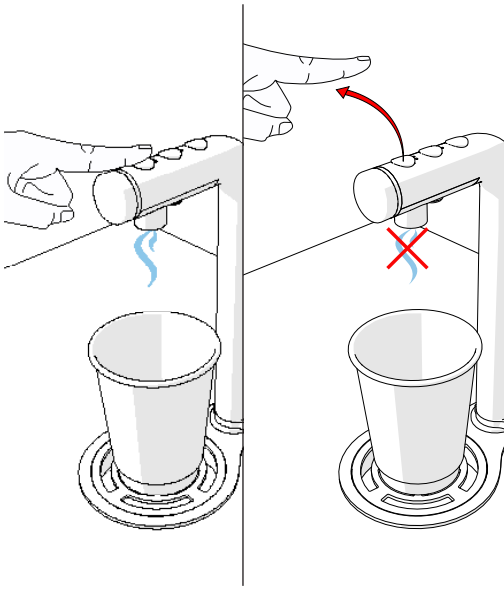


### SP9 Boiler Connection

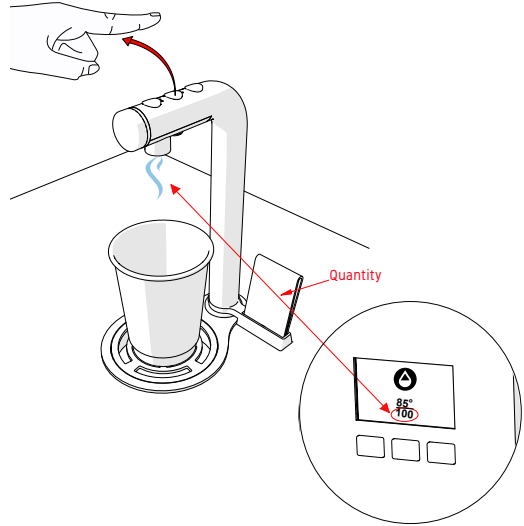


## Operating Font

### 1. Push & Hold



### 2. Push & Release



## Cleaning & Maintenance



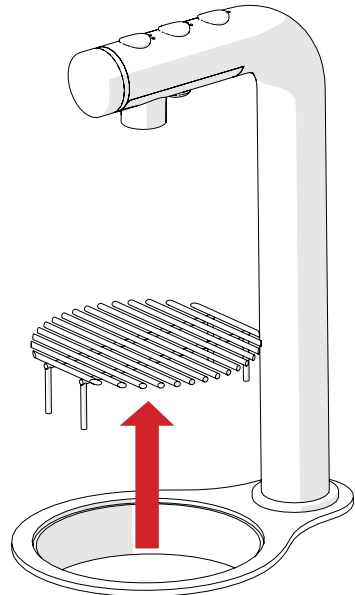
### RISK OF SCALDING

Turn off the boiler before cleaning to prevent accidental triggering of a dispense.

Beware of accidentally operating the font – especially when cleaning around the push buttons.

The exterior of this font may be cleaned with a damp cloth and a light detergent.

Do not use abrasive cloths or creams, as this will spoil the finish of the font.



Marco Beverage Systems Limited.  
63d Heather Road,  
Sandyford Industrial Estate,  
Dublin 18  
t: +353 (0)1 295 2674  
f: +353 (0)1 295 3715  
e: sales@marco.ie  
[www.marco beveragesystems.com](http://www.marco beveragesystems.com)

