



TB10049

Topic:		TB No.: 10049	Date: 17/05/2019
Affected Machines:	Sp9, Jet 6/twin, MIX UC range	Priority: Low	Created By: Gareth Fitzpatrick
From Serial No.:	>0219,	Created For:	Technicians
From Date:	Feb 2019	Pages: 1, double sided	

Topsflow pump upgrade from Bo2 to Bo3 version.

UPDATE

Marco have discontinued version Topsflow Bo2 with immediate effect, **Fig 1**. The new updated version Topsflow Bo3 pump **Fig 2** is a direct replacement with some very small modifications required For MIX UC range. The physical size of the pump is slightly smaller than the old version in length.



Fig 1, Old version



Fig 2, New version

NOTES FOR ENGINEERS

The new Topsflow pump version Bo3 is a direct replacement for below model versions. **It is essential the new pump is correctly aligned as Fig 3 illustrates. This is to prevent cavitation within the pump. (Air pockets)**

Sp9/ Jet 6/ Twin

- Install new pump version Bo3 into models Sp9, Jet 6 ensuring the spout is aligned dead centre or 12 o'clock as per **Fig 3**.
- For Jet 6 model, release the white bracket by pulling back, see **Fig 4**. Position the pump outlet to 12 o'clock and press the bracket **Fig 4** back into the lock position. In Jet 6 this bracket rests on the base of the unit.

MIX UC range

- Install the new pump version Bo3 into MIX. See old version **Fig 5**.
- You will receive 340 mm of part code 1800630 silicone hose for UC8. Install with the anti-kink spring part code 1402041 as per **Fig 6**. Ensure the outlet spout is positioned to 12 o'clock as per **Fig 3** below.
- For model mix UC3, cut the silicone hose part code 1800630 to 200mm-210mm. Install with the anti-kink spring part code 1402041 as per **Fig 6**. Ensure the outlet spout is positioned to 12 o'clock as per **Fig 3** below.



TB10049

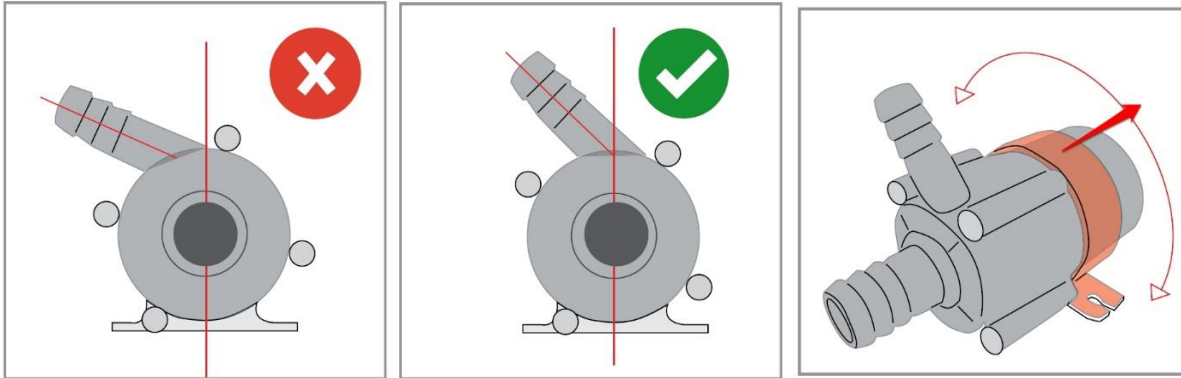


Fig 3 Incorrect V correct pump orientation.

Fig 4



Fig 5



Fig 6

PART CODES

Part code:

- Pump (1501561a)
- Anti-kink spring (1402041)
- 340mm length of 8mm x 12mm silicone hose (1800630)

For model

All
UC3/UC8 only
UC3/UC8 only