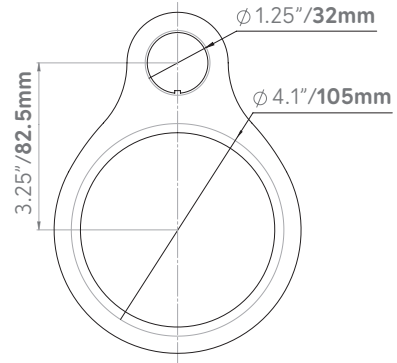




FRIIA HC  
1000864  
FRIIA HC PLUS  
1000866

## COUNTER CUT-OUT WITH DRIP TRAY

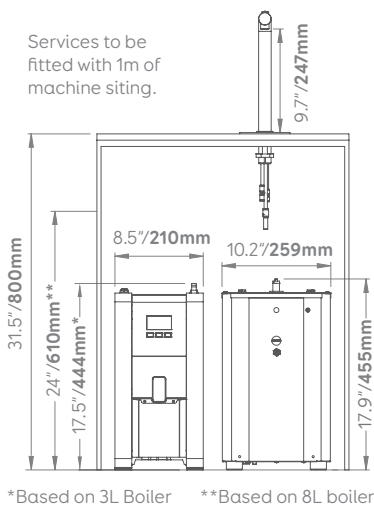


- Hot/cold options
- 3 or 8 L immediate hot draw off
- 23% more energy-efficient than leading competitors

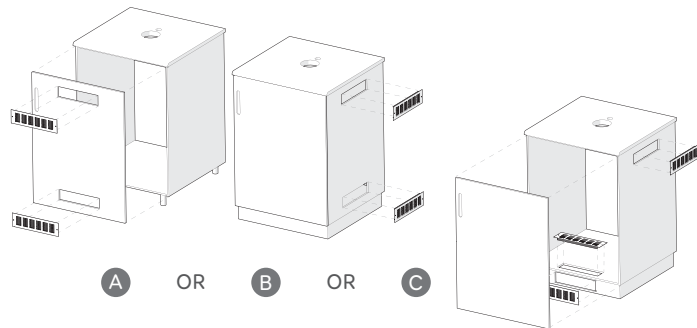
- 175-265 cold cups per hour (170 ml  $\Delta T = 10^\circ C$ )
- 165 hot cups per hour (170 ml)

THE PERFECT HOT/COLD SYSTEM FOR WORKPLACE, CANTEENS, GYMS, INSTITUTIONS OR SMALL COFFEE SHOPS.

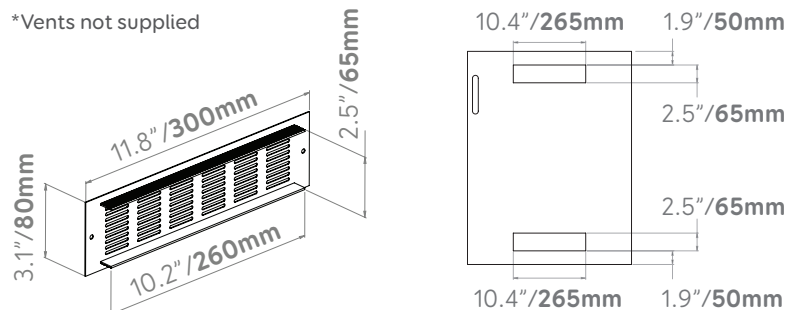
## SYSTEM SETUP



## VENTILATION \*required: A/B/C



\*Vents not supplied



# FRIIA HOT/COLD SPECS



FONT, BOILER & CHILLER

NAME ORDER CODE		FRIIA HC 1000864	FRIIA HC PLUS 1000866
FIRST DRAW OFF		3 L	8 L
CUPS PER HOUR - HOT (170 ml)		165	
CUPS PER HOUR - COLD (170 ml)		235 (ΔT = 10 °C)	
DIMENSIONS (D x W x H mm)	FONT	30 x 30 x 292 w/o drip tray (247 tap to counter)	
	BOILER	385 x 210 x 444	385 x 210 x 610
	CHILLER	436 x 259 x 455	
WEIGHT	FONT	740 g	
	BOILER	9.2 kg	
	CHILLER	31 kg	
POWER REQS	BOILER	2.8 kW	
	CHILLER	180 W	
PLUMBING REQS	BOILER	3/4" BSP	
	CHILLER	3/4" BSP	
CHILLER SPECS		<b>Cooling Capacity for Cold</b> - 35-45L/hr based on incoming water temp of 15°C and output water temp of 5-7°   <b>Compressor Power</b> - 1/8hp   <b>Refrigerant</b> - R290 (MSDS link here) Charge 45g	

HOW TO CLEAN/SANITIZE FRIIA

SANITISATION KIT: INTERNAL WATER COOLER SANITISING SOLUTION 1L + CHILLER BEST SERVICE CARTRIDGE 8000900
INTERNAL WATER COOLER SANITISING SOLUTION 1L 8800125
CHILLER BEST SERVICE CARTRIDGE 8000522
<ul style="list-style-type: none"> <li>Wipe down font daily with non-abrasive cleaner.</li> <li>Sanitize the system every 6 months, after a filter change or after a period of inactivity (more than one week)</li> </ul>

- FRIIA HC 1000864 AND FRIIA HC PLUS 1000866 ARE SOLD WITH DRIP TRAY AS STANDARD
- PLEASE CONTACT US FOR A RECOMMENDATION ON THE MOST SUITABLE WATER FILTERS TO MEET YOUR NEEDS

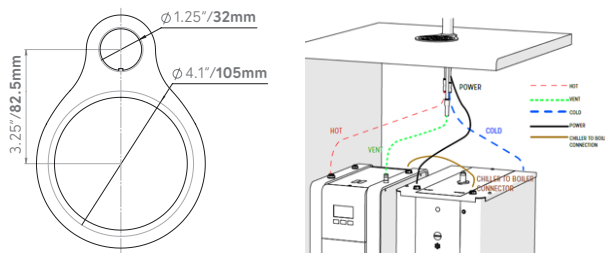
GOOD TO KNOW

PACKAGING

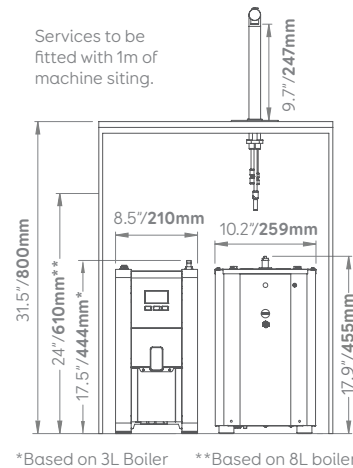
NAME ORDER CODE	PACKAGING DIMENSIONS (L x W x H mm)			QUANTITY PER PALLET	WEIGHT			TOTAL WEIGHT
	BOILER	CHILLER	FONT		BOILER	CHILLER	FONT	
FRIIA HC 1000864	450 x 290 x 540	490 x 300 x 515	290 x 570 x 215	5	11 kg	31.5 kg	2 kg	44.5 kg
FRIIA HC PLUS 1000866	450 x 290 x 700				14 kg			47.5 kg

## FRIIA HOT/COLD

### COUNTER CUT-OUT WITH DRIP TRAY



FRIIA HC 1000864  
FRIIA HC PLUS 1000866



### VENTILATION REQUIREMENTS

**FRONT VENTILATION:** Ventillation grilles cut out of standard cabinet door.

**SIDE VENTILATION:** Ventillation grilles cut out of standard 600mm cabinet. Grilles may be fitted on either side as long as they ventilate into an open unobstruted area.

**BASE VENTILATION:** Ventilation grilles cut in base panel and base plinth, a grille must also be cut out at the top of the cabinet.

- At least 2 x vents  $260\text{mm}/10.2''$  w x  $65\text{mm}/2.5$  h
- The cabinet may be ventilated in many ways provided there are cut outs placed near the base and another near the top of the cabinet to take advantage of natural circulation.

### UNPACKING INSTRUCTIONS

- The chiller must be handled only in a vertical position. Transporting the appliance in a horizontal position can cause severe damage to the refrigerator.
- Remove the exterior and interior packing. Packing materials (especially any plastic bags) should be stored out of the reach of children, as a potential source of danger. When disposing packaging parts, please follow current regulations on the matter, separating carton from plastic parts.
- Always check that the equipment that is delivered corresponds to the model indicated in the accompanying document.
- The equipment is shipped in a cardboard box. Once the packaging has been removed, check the equipment has not been damaged in transit; if damage is found, notify the carrier.

### ELECTRICAL INSTALLATION PROCEDURE

When installing the machine, always observe the local regulations and standards. The appliance is supplied with a moulded power cord. A suitable mains power supply socket should be available within easy access of the appliance so that it can be disconnected easily after install.

The standard machines are supplied with a UK 3-pin plug. For EU models a 2-pin CEE-7 plug will be supplied. US models will be supplied with the suitable plug. A suitable mains power supply socket should be available within easy access of the appliance so that it can be disconnected easily after install. The wires from the font are terminated in a Mini Fit connector which will plug into a similar Mini Fit connector mounted on the top lid of the undercounter boiler.

### PLUMBING INSTALLATION PROCEDURE

- Ensure that the equipment is installed according to local plumbing & water regulations.
- Fit a stop valve on a cold water line and attach a  $3/8''$  BSP male fitting, (eg.  $3/4''$  x  $1/2''$  311 or washing machine type stop valve).
- Connect water supply lines following the installation drawings, as per installation guide (starting page 14).
- In case filter systems are used verify that they satisfy the requirements of the legislation in force.
- If the filter is new, turn on water and flush at least 10 liters (2.5 gallon) through the filter before to connect it to the cooler; if the filter is a used one, connect water inlet to the chiller.
- To ensure that the maximum value of pressure of 3 Bar is not exceeded the chiller integrates a pressure reducer.
- Turn on the water to flush any impurities, dust etc from the inlet hose and water pipe. Allow several litres through. Especially for new installations.

### OPERATING THE CHILLER FOR THE FIRST TIME

- Before connecting the appliance to the power source, let it stand upright for approximately 2 hours. This will reduce the possibility of a malfunction.
- Check that all installation procedures have been carried out.
- Ensure water inlet is open.
- Before supplying power to the unit check water and Carbon Dioxide lines do not leak.
- Plug the chiller into a suitable socket switch ON/OFF switch on the rear of the chiller to ON position. The "Power ON Status" light will light-up.
- When the unit is on, the carbonation pump starts to fill. The carbonation device stops when it reaches the maximum level.
- Once water and CO<sub>2</sub> are connected, open the vent on top of the Chiller by pulling the ring. This operation allows the escape of any air bubbles present inside, which would affect the carbonation adversely.
- On the pressure reducer knob, adjust CO<sub>2</sub> pressure to a value between 50 and 65 PSI (350 and 450 kPa) (3.5 - 4.5 bar). This value depends on the temperature of the water and on the ambient temperature. The temperatures correspond to the CO<sub>2</sub> pressure.
- To enable filling the lines, open the two lines in the following order: cold sparkling water and cold natural water, until the flows appear regular and without the presence of air, in each case deliver and discharge at least 5 liters of water from each line.
- At this point you can dispense water.