
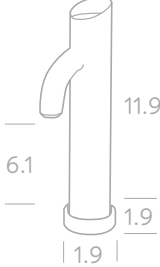

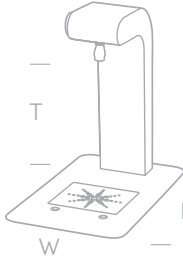
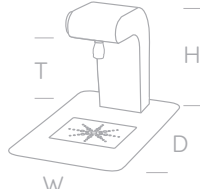


TUBULAR & ÜBER FONTS WITH ECOSMART/ECOBOILER UNDERCOUNTER WATER BOILERS




SEE TABLE FOR
PRODUCT DIMENSIONS

TUBULAR FONT 1000584	DIMENSIONS
	
<ul style="list-style-type: none"> Up to 3 fonts can be used on a single boiler (UC45 only) Quick and easy service for high volume environments 	

ÜBER FONT 2 BUTTON 1000812	DIMENSIONS	DIMENSIONS (LOW PROFILE)
		
<ul style="list-style-type: none"> Available in two heights Can be used with 1 or 2 undercounter boilers 		

ASSOCIATED PRODUCTS (SOLD SEPARATELY)

REQUIRED	
ECOSMART UC4 1000750US	ECOBOILER UC4 1000747US
ECOSMART UC10 1000752US	ECOSMART UC45 1000754US



- 1, 2.6 or 11.8 gallons
- LCD screen for precise temperature control

PACKAGING

NAME ORDER CODE	PACKED WEIGHT	PACKAGING DIMENSIONS (L x W x H inches)	QUANTITY PER PALLET
Ecoboiler UC4 1000747US	24lb	19.7 x 9.4 x 27	10
Ecosmart UC4 1000750US	24lb	19.7 x 9.4 x 27	10
Ecosmart UC10 1000752US	33lb	19.7 x 9.4 x 27	10
Ecosmart UC45 1000754US	49lb	19.7 x 16.5 x 27	4
Tubular Font 1000584	5.5lb	9.4 x 5.5 x 13.3	16
Über Font 1000812	17.6lb	19.2 x 11 x 26.3	16
Low Profile Über Font 1000812L	17.6lb	19.2 x 11 x 26.3	16

BOILERS

NAME ORDER CODE	POWER	IMMEDIATE DRAW OFF	CUPS PER HOUR	DIMENSIONS (D x W x H inches)	NEMA	PLUMBING REQS
Ecoboiler UC4 1000747US	1.5kW @ 110V	1 GAL	60	15.5 x 5.3 x 23	515P	3/8" Compression or 3/8" John Guest
Ecosmart UC4 1000750US	2.4kW @ 230V	1 GAL	115	15.5 x 5.2 x 23	L6-20P	3/8" Compression or 3/8" John Guest
Ecosmart UC10 1000752US	5.6kW @ 230V	2.6 GAL	311	15.5 x 8.8 x 23	L6-30P	3/8" Compression or 3/8" John Guest
Ecosmart UC45 1000754US	5.6kW @ 230V	11.8 GAL	311	19.4 x 16.5 x 26.2	L6-30P	3/8" NPT

FONTS

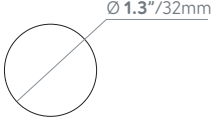
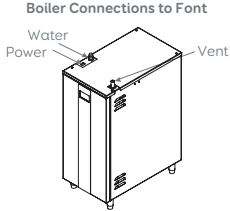
NAME ORDER CODE	DIMENSIONS (D x W x H inches)	TAP TO COUNTER (inches)	NAME ORDER CODE	DIMENSIONS (D x W x H inches)	TAP TO COUNTER (inches)
Über Font* 1 hose 1000812	18.5 x 9.8 x 15.7	11.6	Tubular Font 1000584	4.5 x 1.9 x 11.9	6.1
Low Profile Über Font 1000812L	18.5 x 9.8 x 10.7	6.8			



TUBULAR FONT WITH ECOSMART/ECOBOILER UNDERCOUNTER WATER BOILERS



TUBULAR FONT WITH ECOBOILER UC4 & ECOSMART UC4, UC10 & UC45

COUNTER CUT-OUT	TUBULAR FONT 1000584		
	ECOBOILER UC4 1000747US ECOSMART UC4 1000750US	ECOSMART UC10 1000752US	ECOSMART UC45 1000754US
 <p>Ø 1.3\"/> </p>	<p>* Hosing should be trimmed to ensure continuous drop from font to boiler</p>	<p>* Hosing should be trimmed to ensure continuous drop from font to boiler</p>	<p>* Hosing should be trimmed to ensure continuous drop from font to boiler</p>
<p>Boiler Connections to Font</p> 			

VENTILATION REQUIREMENTS

50mm/1.9" clearance required at each side and back of machine if installed in an enclosed cabinet.

ELECTRICAL INSTALLATION PROCEDURE

When installing the machine, always observe the local regulations and standards. The appliance is either supplied with a NEMA L6-20P moulded power cord or a 515P power cord. A suitable mains power supply socket should be available within easy access of the appliance so that it can be disconnected easily after install. The wires from the font are terminated in a Mini Fit connector which will plug into a similar Mini Fit connector mounted on the top lid of the undercounter boiler.

PLUMBING INSTALLATION PROCEDURE

- Ensure that the equipment is installed according to local plumbing & water regulations.
- Mains water pressure required (limits): 14.5 -145psi (100 -1000kPa, 0.1 - 1MPa).
- Requires inline water filter within your water specifications.
- The machine requires either a 3/8" compression, or 3/8" John Guest water connection.
- Turn on the water to flush any impurities, dust etc from the inlet hose and water pipe. Allow several litres through. Especially for new installations. Connect the hose to the inlet valve of the boiler. Make sure a sealing washer is fitted.
- Turn on water and check for leaks.
- If the overflow vent is plumbed it must be plumbed with a tundish device.

- This equipment must be installed with adequate backflow protection to comply with all applicable federal, state and local codes.

OPERATING BOILER FOR THE FIRST TIME

- Check that all installation procedures have been carried out.
- Ensure water valve is on.
- Plug boiler appropriate electrical supply and press power button on the front of the machine marked 'Power'.
- The "power on" light will glow green and the machine will fill to a safe level, above the elements, before heating.
- The "Ready/Status" light will cycle two red flashes while the machine is filling to the safe level.
- After this amount of water has heated to about 95°C the boiler will draw more water in until the temperature drops by 1 or 2 degrees. The boiler will then heat again. This heat fill cycle continues until the boiler is full.
- Whilst the machine is above the safe level and filling, the "Ready/Status" light will remain blank.
- The "Ready/Status" light will glow green when the machine is both full and up to normal operating temperature.
- The boiler is now ready for use.
- The font is simply activated by pressing the button on the top of the font.

NOTE: Because the boiler is electronically controlled no priming is necessary. The element cannot switch on until a safe level of water is reached.