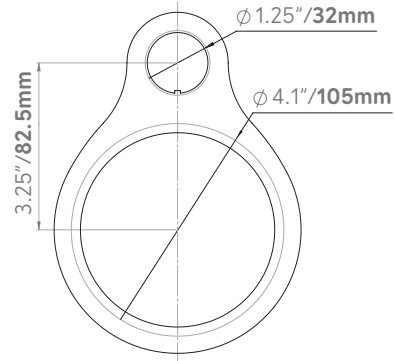


FRIIA HOT/COLD & HOT/COLD/SPARKLING



FRIIA HC/FRIIA HCS
1000864/1000865
FRIIA HC PLUS/FRIIA HCS PLUS
1000866/1000867

COUNTER CUT-OUT WITH DRIP TRAY

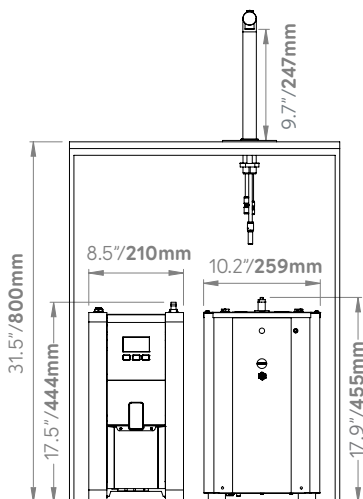


- Hot/cold or hot/cold/sparkling options
- 3 or 8 L immediate hot draw off
- 23% more energy-efficient than leading competitors

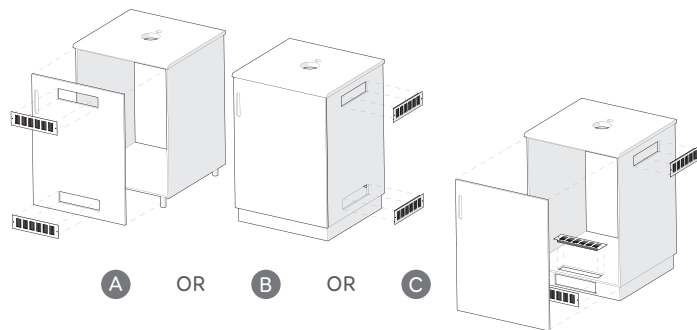
- 235 cold/sparkling cups per hour (170 ml $\Delta T = 10^\circ C$)
- 165 hot cups per hour (170 ml)

THE PERFECT HOT/COLD OR HOT/COLD/SPARKLING SYSTEM FOR WORKPLACE, CANTEENS, GYMS, INSTITUTIONS OR SMALL COFFEE SHOPS.

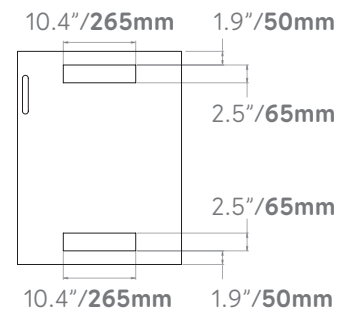
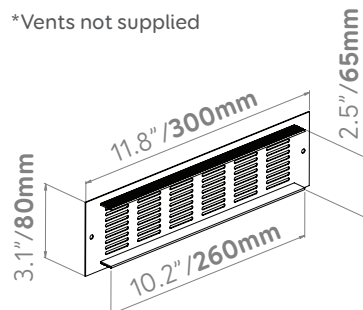
SYSTEM SETUP



VENTILATION *required: A/B/C



*Vents not supplied



FRIIA RANGE SPECS



FONT, BOILER & CHILLER

NAME ORDER CODE		FRIIA HC 1000864	FRIIA HCS 1000865	FRIIA HC PLUS 1000866	FRIIA HCS PLUS 1000867
FIRST DRAW OFF		3 L		8 L	
CUPS PER HOUR - HOT (170 ml)		165			
CUPS PER HOUR - COLD/SPARKLING (170 ml)		235 (ΔT = 10 °C)			
DIMENSIONS (D x W x H mm)	FONT	30 x 30 x 292 w/o drip tray (247 tap to counter)			
	BOILER	385 x 210 x 444		385 x 210 x 610	
	CHILLER	436 x 259 x 455			
WEIGHT	FONT	740 g			
	BOILER	9.2 kg			
	CHILLER	31 kg			
	CHILLER/CARBONATOR	35 kg			
POWER REQS	BOILER	2.8 kW			
	CHILLER	180 W			
PLUMBING REQS	BOILER	3/4" BSP			
	CHILLER	3/4" BSP			
CHILLER SPECS		Cooling Capacity - 35/40 lt/hr Compressor Power - 1/8hp Cooling System - Aluminium Block Refrigerant - R290			

ASSOCIATED PRODUCTS (SOLD SEPARATELY)

RECOMMENDED
SANITISATION
SANITISATION KIT: INTERNAL WATER COOLER SANITISING SOLUTION 1L + CHILLER BEST SERVICE CARTRIDGE 8000900
INTERNAL WATER COOLER SANITISING SOLUTION 1L 8800125
CHILLER BEST SERVICE CARTRIDGE 8000522

OPTIONAL	
ACCESSORY	DIMENSIONS (D x W x H mm)
DRIP TRAY 2300268	170 x 125 x 35

Please contact us for a recommendation on the most suitable water filters to meet your needs.

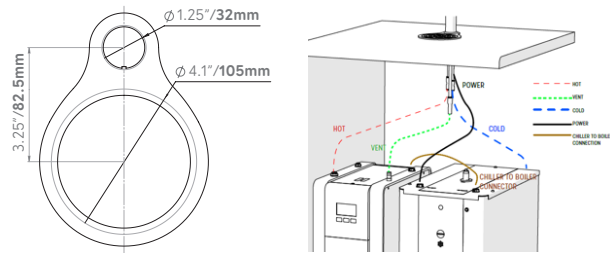
PACKAGING

NAME ORDER CODE	PACKAGING DIMENSIONS (L x W x H mm)	QUANTITY PER PALLET	WEIGHT			TOTAL WEIGHT
			BOILER	CHILLER / CARBONATOR	FONT	
FRIIA HC 1000864	490 x 300 x 515	5	11 kg	31.5 kg	2 kg	44.5 kg
FRIIA HCS 1000865	490 x 300 x 515	5	11 kg	35.5 kg	2 kg	48.5 kg
FRIIA HC Plus 1000866	490 x 300 x 515	5	14 kg	31.5 kg	2 kg	47.5 kg
FRIIA HCS Plus 1000867	490 x 300 x 515	5	14 kg	35.5 kg	2 kg	51.5 kg

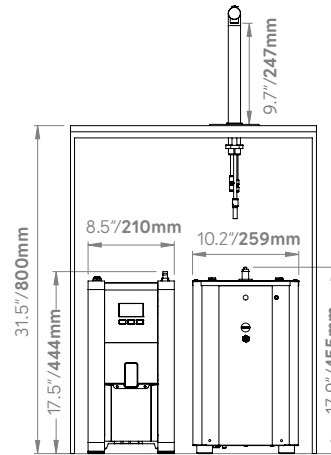


FRIIA HOT/COLD/SPARKLING

COUNTER CUT-OUT WITH DRIP TRAY



FRIIA HCS 1000865
FRIIA HCS PLUS 1000867



VENTILATION REQUIREMENTS

FRONT VENTILATION: Ventillation grilles cut out of standard cabinet door.

SIDE VENTILATION: Ventillation grilles cut out of standard 600mm cabinet. Grilles may be fitted on either side as long as they ventilate into an open unobstruted area.

BASE VENTILATION: Ventilation grilles cut in base panel and base plinth, a grille must also be cut out at the top of the cabinet.

- At least 2 x vents 260mm/10.2" w x 65mm/2.5 h

UNPACKING INSTRUCTIONS

- The chiller must be handled only in a vertical position. Transporting the appliance in a horizontal position can cause severe damage to the refrigerator.
- Remove the exterior and interior packing. Packing materials (especially any plastic bags) should be stored out of the reach of children, as a potential source of danger. When disposing packaging parts, please follow current regulations on the matter, separating carton from plastic parts.
- Always check that the equipment that is delivered corresponds to the model indicated in the accompanying document.
- The equipment is shipped in a cardboard box. Once the packaging has been removed, check the equipment has not been damaged in transit; if damage is found, notify the carrier.

ELECTRICAL INSTALLATION PROCEDURE

When installing the machine, always observe the local regulations and standards. The appliance is supplied with a moulded power cord. A suitable mains power supply socket should be available within easy access of the appliance so that it can be disconnected easily after install. The standard machines are supplied with a UK 3-pin plug. For EU models a 2-pin CEE-7 plug will be supplied. US models will be supplied with the suitable plug. A suitable mains power supply socket should be available within easy access of the appliance so that it can be disconnected easily after install. The wires from the front are terminated in a Mini Fit connector which will plug into a similar Mini Fit connector mounted on the top lid of the undercounter boiler.

PLUMBING INSTALLATION PROCEDURE

- Ensure that the equipment is installed according to local plumbing & water regulations.

- Fit a stop valve on a cold water line and attach a 3/8" BSP male fitting, (eg. 3/4" x 1/2" 311 or washing machine type stop valve).
- Connect water supply lines following the installation drawings, as per installation guide (starting page 14).
- In case filter systems are used verify that they satisfy the requirements of the legislation in force.
- If the filter is new, turn on water and flush at least 10 liters (2.5 gallon) through the filter before to connect it to the cooler; if the filter is a used one, connect water inlet to the chiller.
- To ensure that the maximum value of pressure of 3 Bar is not exceeded the chiller integrates a pressure reducer.
- Turn on the water to flush any impurities, dust etc from the inlet hose and water pipe. Allow several litres through. Especially for new installations.

OPERATING THE CHILLER/CARBONATOR FOR THE FIRST TIME

- Before connecting the appliance to the power source, let it stand upright for approximately 2 hours. This will reduce the possibility of a malfunction.
- Check that all installation procedures have been carried out.
- Ensure water inlet is open.
- Before supplying power to the unit check water and Carbon Dioxide lines do not leak.
- Plug the chiller into a suitable socket switch ON/OFF switch on the rear of the chiller to ON position. The "Power ON Status" light will light-up.
- When the unit is on, the carbonation pump starts to fill. The carbonation device stops when it reaches the maximum level.
- Once water and CO2 are connected, open the vent on top of the Chiller by pulling the ring. This operation allows the escape of any air bubbles present inside, which would affect the carbonation adversely.
- On the pressure reducer knob, adjust CO2 pressure to a value between 50 and 65 PSI (350 and 450 kPa) (3.5 - 4.5 bar). This value depends on the temperature of the water and on the ambient temperature. The temperatures correspond to the CO2 pressure.
- To enable filling the lines, open the two lines in the following order: cold sparkling water and cold natural water, until the flows appear regular and without the presence of air, in each case deliver and discharge at least 5 liters of water from each line.
- At this point you can dispense water.