

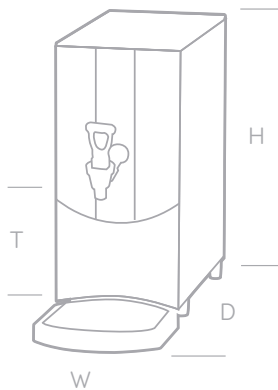


ECOBOILER COUNTERTOP WATER BOILERS/TAP



ECOBOILER T5 1000660US	ECOBOILER T10 1000661US	DIMENSIONS
		
<ul style="list-style-type: none"> • 1.3 or 2.6 gallon options • Easy to descale • Made from 95% recyclable materials 	<ul style="list-style-type: none"> • 7.3 gallons output per hour • 156 cups per hour 	

SEE TABLE FOR
PRODUCT DIMENSIONS

TAP BOILERS AVAILABLE IN TWO VOLUMES FOR CATERING LOCATIONS SUCH AS CAFÉS, HOTELS, RESTAURANTS AND CANTEENS.

BOILERS

NAME ORDER CODE	POWER @ 230V	IMMEDIATE DRAW OFF	DIMENSIONS (D x W x H inches)	NEMA	TAP TO COUNTER (inches)	PLUMBING REQS
Ecoboiler T5 1000660US	2.8kW	1.3 GAL	20.2 x 8.2 x 18.3	L6-20P	7.2	3/8" NPT
Ecoboiler T10 1000661US	2.8kW	2.6 GAL	20.2 x 8.2 x 23.2	L6-20P	7.2	3/8" NPT

PACKAGING

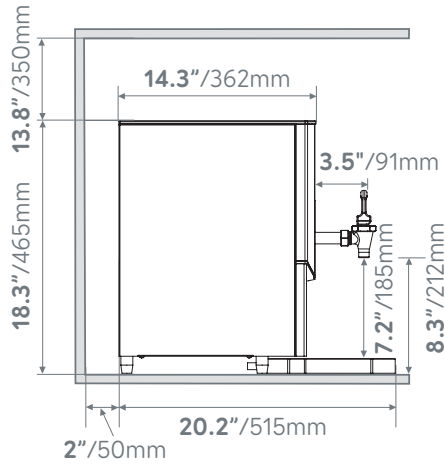
NAME ORDER CODE	PACKED WEIGHT	PACKAGING DIMENSIONS (L x W x H inches)	QUANTITY PER PALLET
Ecoboiler T5 1000660US	22lb	21.6 x 22 x 11.4	18
Ecoboiler T10 1000661US	27.5lb	11.4 x 27.1 x 22	18



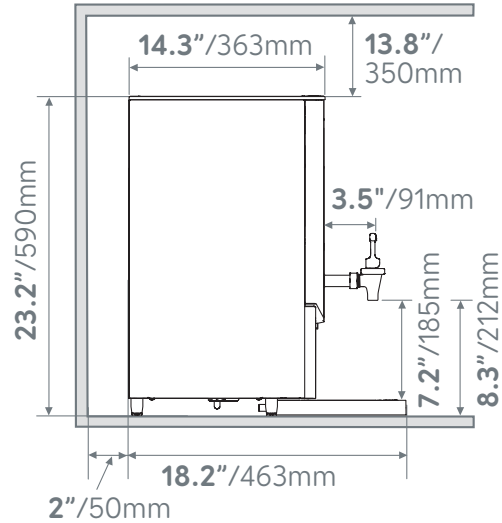


ECOBOILER T5 & ECOBOILER T10

ECOBOILER T5
1000660US



ECOBOILER T10
1000661US



VENTILATION REQUIREMENTS

50mm/1.9" clearance required at each side and back of machine if installed in an enclosed cabinet.

ELECTRICAL INSTALLATION PROCEDURE

When installing the machine, always observe the local regulations and standards. The appliance is supplied with a NEMA L6-20P moulded power cord. A suitable mains power supply socket should be available within easy access of the appliance so that it can be disconnected easily after install.

PLUMBING INSTALLATION PROCEDURE

- Ensure that the equipment is installed according to local plumbing & water regulations.
- Mains water pressure required (limits): 14.5 -145psi (100 -1000kPa, 0.1 - 1MPa).
- Requires inline water filter within your water specifications.
- The machine is supplied with a 3/8 NPT connection.
- Connect straight tailpiece of the hose to the stop valve fitting. Make sure that the pre-attached sealing washer is fitted.
- Turn on the water to flush any impurities, dust etc from the inlet hose and water pipe. Allow several litres through, especially for new installations.
- Connect the hose to the inlet valve of the boiler. Make sure a sealing washer is fitted.
- Turn on water and check for leaks.

OPERATING BOILER FOR THE FIRST TIME

- Check that all installation procedures have been carried out.
- Ensure water valve is on.
- Plug boiler into a suitable socket and press power button on the front of the machine marked 'Power'.
NOTE: On the T5 the 'Power' button light also acts as the "Ready/Status" indicator.
- The "power on" light will glow green and the machine will fill to a safe level, above the elements, before heating.
- The "Ready/Status" light will cycle two red flashes while the machine is filling to the safe level.
- After this amount of water has heated to about 96°C the boiler will draw more water in until the temperature drops by 1 or 2 degrees. The boiler will then heat again. This heat fill cycle continues until the boiler is full.
- Whilst the machine is above the safe level and filling, the "Ready/Status" light will glow orange.
- The "Ready/Status" light will glow green when the machine is both full and up to normal operating temperature, allow approx 15 minutes.
- The boiler is now ready for use.

NOTE: Because the boiler is electronically controlled no priming is necessary. The element cannot switch on until a safe level of water is reached.