

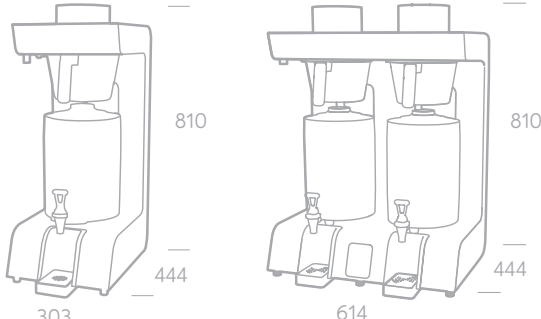




|  |   |  |
|--|---|--|
| <p><b>JET 6 2.8KW</b> 1000851<br/><b>JET 6 5.6KW</b> 1000850</p>   | <p><b>JET TWIN</b><br/>1000855</p>  | <p><b>DIMENSIONS</b></p>   |
|   |  |    |
| <ul style="list-style-type: none"> <li>• Single (6 litre) or Twin (12 litre) options</li> <li>• Pre-set recipe and volume options for morning, afternoon and evening</li> <li>• Variable batch volumes</li> <li>• Basket safety lock during brewing</li> </ul> |   | <ul style="list-style-type: none"> <li>• Operator friendly and easy-to-use</li> <li>• Vacuum insulated urn for energy-efficiency and temperature retention</li> <li>• Two power options</li> </ul> |

PRECISE, PROGRAMMABLE BATCH BREWER FOR HIGHER VOLUME REQUIREMENTS.

ACCESSORIES

| NAME<br>ORDER CODE                         | DIMENSIONS<br>(D x W x H mm) |
|--|------------------------------|
| Jet Grinder<br>1000891                     | 370 x 188 x 559              |
| Jet Urn<br>1700204                         | 420 x 245 x 570              |
| Jet Filter Papers - Case of 500<br>8000151 |                              |

PACKAGING

| NAME<br>ORDER CODE     | PACKED<br>WEIGHT | PACKAGING<br>DIMENSIONS<br>(L x W x H mm) | QUANTITY<br>PER<br>PALLET |
|------------------------|------------------|---|---------------------------|
| Jet 6 2.8kW<br>1000851 | 24kg             | 500 x 400 x 900                           | 6                         |
| Jet 6 5.6kW<br>1000850 | 24kg             | 500 x 400 x 900                           | 6                         |
| Jet Twin<br>1000855    | 28kg             | 500 x 710 x 920                           | 2                         |
| Jet Grinder<br>1000891 | 25kg             | 580 x 300 x 800                           | 12                        |
| Jet Urn<br>1700204     | 7kg              | 640 x 310 x 440                           | 16                        |

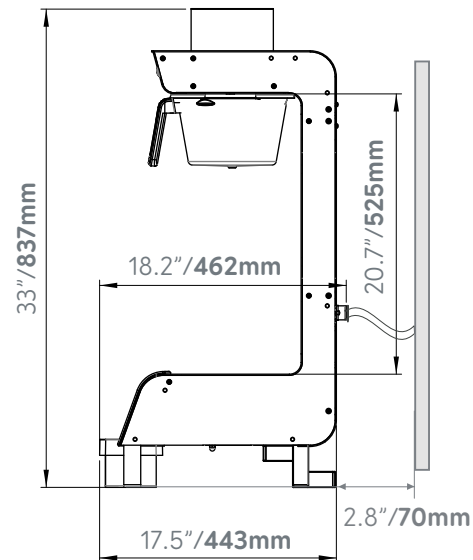
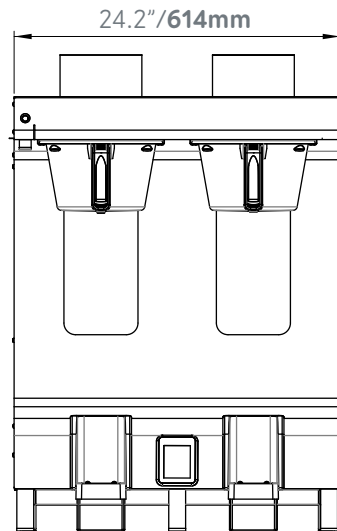
ASSOCIATED PRODUCTS (SOLD SEPARATELY)

| REQUIRED  | OPTIONAL  |
|---|---|
| <p><b>JET URN</b><br/>1700204</p>  | <p><b>JET GRINDER</b><br/>1000891</p>  |

BREWERS

| NAME<br>ORDER CODE     | POWER @ 230V | FULL BREW     | DIMENSIONS<br>(D x W x H mm) | PLUMBING REQS |
|------------------------|--------------|---------------|------------------------------|---------------|
| Jet 6 2.8kW<br>1000851 | 2.8kW        | 6 L           | 462 x 303 x 840              | 3/4" BSP      |
| Jet 6 5.6kW<br>1000850 | 5.6Kw        | 6 L           | 462 x 303 x 840              | 3/4" BSP      |
| Jet Twin<br>1000855    | 5.6Kw        | 6 L (per urn) | 462 x 614 x 837              | 3/4" BSP      |

## JET TWIN BATCH BREWER

JET TWIN  
1000855

## VENTILATION REQUIREMENTS

- Back: 70mm/2.7"
- Sides: 50mm/1.9"

Clearance required around machine if installed in an enclosed cabinet.

## ELECTRICAL INSTALLATION PROCEDURE

When installing the machine, always observe the local regulations and standards. The 5.6kw machine is supplied with a three core electrical cord and should be connected to a 30 amp dedicated socket. For EU models a 2-pin CEE-7 plug will be supplied. US models will be supplied with the suitable plug. A suitable mains power supply socket should be available within easy access of the appliance so that it can be disconnected easily after install.

## PLUMBING INSTALLATION PROCEDURE

- Ensure that the equipment is installed according to local plumbing & water regulations.
- Mains water pressure required (limits): 14.5 -145psi (100 -1000kPa, 0.1 - 1MPa).

- The inlet water must be potable and free of contaminants.
- Requires inline water filter within your water specifications.
- The machine is supplied with a 3/4" BSP connection.
- Turn on the water to flush any impurities, dust etc from the inlet hose and water pipe. Allow several litres through, Especially for new installations.
- Connect the hose to the inlet valve of the machine. Make sure a sealing washer is fitted.
- Turn on water and check for leaks.

## OPERATING THE APPLIANCE FOR THE FIRST TIME

- Check that all installation procedures have been carried out.
- Ensure water valve is on. Plug machine into an appropriate electrical supply and switch on the rocker switch under the machine. Follow the instructions on the screen.