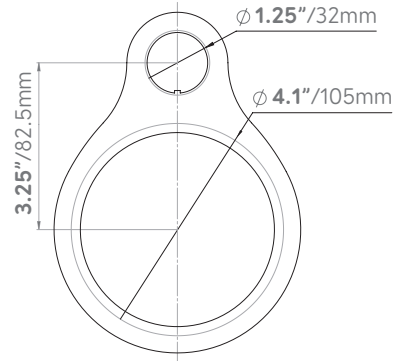


FRIIA HOT/COLD & HOT/COLD/SPARKLING



FRIIA HC/FRIIA HCS
1000864US/1000865US
FRIIA HC PLUS/FRIIA HCS PLUS
1000866US/1000867US

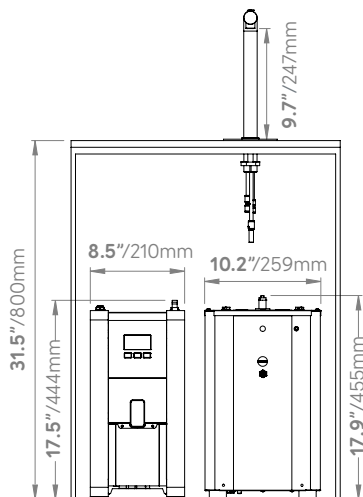
COUNTER CUT-OUT



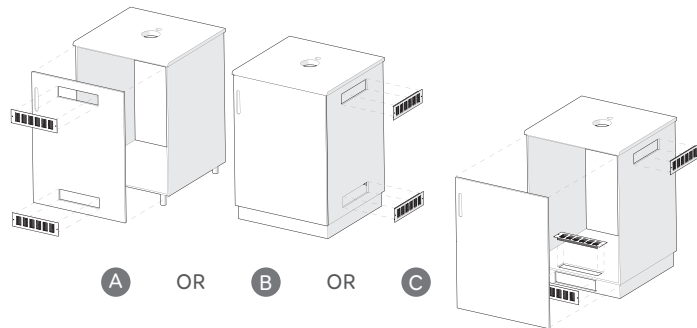
- Hot/cold or hot/cold/sparkling options
- 0.8 or 2.1 GAL immediate hot draw off
- 23% more energy-efficient than leading competitors
- 235 cold/sparkling cups per hour (6 oz) ($\Delta T = 50^\circ F$)
- 165 hot cups per hour (6 oz)

THE PERFECT HOT/COLD OR HOT/COLD/SPARKLING SYSTEM FOR WORKPLACE, CANTEENS, GYMS, INSTITUTIONS OR SMALL COFFEE SHOPS.

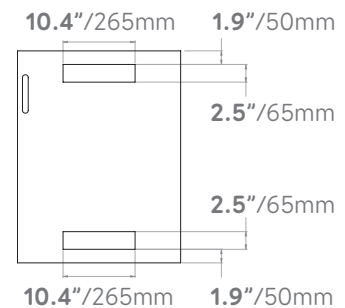
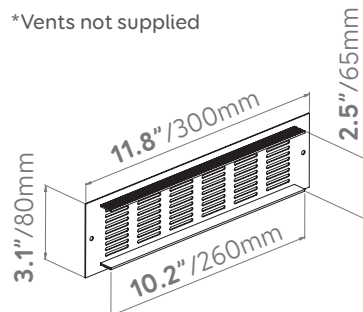
SYSTEM SETUP



VENTILATION *required: A/B/C



*Vents not supplied



FRIIA RANGE SPECS



FONT, BOILER & CHILLER

NAME ORDER CODE		FRIIA HC 1000864US	FRIIA HCS 1000865US	FRIIA HC PLUS 1000866US	FRIIA HCS PLUS 1000867US
FIRST DRAW OFF		0.8 GAL		2.1 GAL	
CUPS PER HOUR - HOT (6 oz)		165			
COLD/SPARKLING (6 oz) (ΔT = 50 °F)		235			
DIMENSIONS (D x W x H inches)	FONT	1.1" x 1.1" x 11.8" (w/o drip tray) (9.7" tap to counter)			
	BOILER	15" x 8.5" x 17.5"		15" x 8.5" x 24"	
	CHILLER	17.1" x 10.2" x 17.9"			
WEIGHT	FONT	1.6 lbs			
	BOILER	20.2 lbs			
	CHILLER	68.3 lbs			
	CHILLER/CARBONATOR	77.1 lbs			
POWER REQS	BOILER	2.8 kW			
	CHILLER	180 W			
PLUMBING REQS	BOILER	3/8" Compression or 3/8" John Guest			
	CHILLER	3/8" Compression or 3/8" John Guest			
CHILLER SPECS		Cooling Capacity - 7.9/10.5 gal/hr Compressor Power - 1/8hp Cooling System - Aluminium Block Refrigerant - R290			

ASSOCIATED PRODUCTS (SOLD SEPARATELY)

RECOMMENDED
SANITIZATION
SANITIZATION KIT: INTERNAL WATER COOLER SANITIZING SOLUTION 1L + CHILLER BEST SERVICE CARTRIDGE 8000900
INTERNAL WATER COOLER SANITIZING SOLUTION 1L 8800125
CHILLER BEST SERVICE CARTRIDGE 8000522

OPTIONAL	
ACCESSORY	DIMENSIONS (D x W x H inches)
DRIP TRAY 2300268	7" x 5" x 1.5"

Please contact us for a recommendation on the most suitable water filters to meet your needs.

