
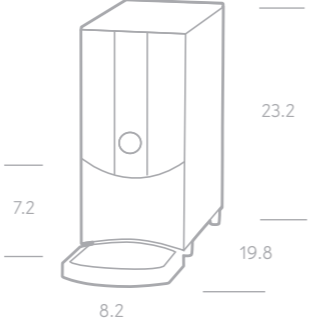
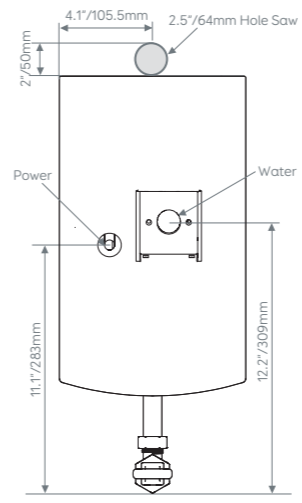
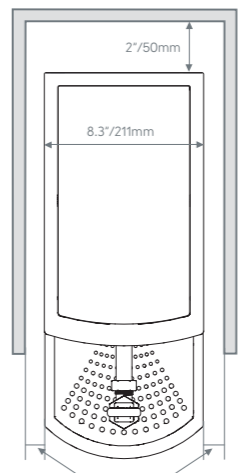
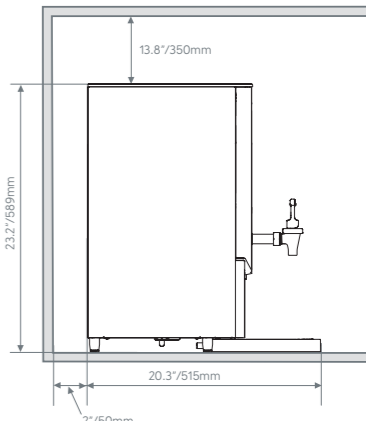


<p>ECOSMART T10 1000674US</p>	<p>DIMENSIONS</p>
	
<ul style="list-style-type: none"> • 2.6 gallons • LCD screen for precise temperature control • Adjustable temperature 	<ul style="list-style-type: none"> • Filter change prompt • Live temperature readout • 156 cups per hour

TAP BOILER FOR CATERING LOCATIONS SUCH AS CAFÉS, HOTELS, RESTAURANTS AND CANTEENS.

NAME ORDER CODE	POWER @ 230V	IMMEDIATE DRAW OFF	DIMENSIONS (D x W x H inches)	NEMA	TAP TO TRAY (inches)	PLUMBING REQS
Ecosmart T10 1000674US	2.8kW	2.6 GAL	19.8 x 8.2 x 23.2	L6-20P	7.2	3/8" NPT

<p>ECOSMART T10</p>		
<p>COUNTER CUTOUT</p>	<p>CABINET CLEARANCE</p>	<p>ECOSMART T10 1000674US</p>
 <p>Plan View</p>	 <p>* Required for ventilation if the machine is installed in an enclosed cabinet.</p>	

ELECTRICAL INSTALLATION PROCEDURE

When installing the machine, always observe the local regulations and standards. The appliance is supplied with a NEMA L6-20P moulded power cord. A suitable mains power supply socket should be available within easy access of the appliance so that it can be disconnected easily after install.

PLUMBING INSTALLATION PROCEDURE

- Ensure that the equipment is installed according to local plumbing & water regulations.
- Mains water pressure required (limits): 14.5 -145psi (100 -1000kPa, 0.1 - 1MPa).
- Requires inline water filter within your water specifications.
- The machine is supplied with a 3/8 NPT connection.
- Connect straight tailpiece of the hose to the stop valve fitting. Make sure that the pre-attached sealing washer is fitted.
- Turn on the water to flush any impurities, dust etc from the inlet hose and water pipe. Allow several litres through. Especially for new installations.
- Connect the hose to the inlet valve of the boiler. Make sure a sealing washer is fitted.
- Turn on water and check for leaks.

OPERATING BOILER FOR THE FIRST TIME

- Check that all installation procedures have been carried out.
- Ensure water valve is on.
- Plug boiler into a suitable socket and press power button on the front of the machine marked 'Power'.
- The "power on" light will glow green and the machine will fill to a safe level, above the elements, before heating.
- The "Ready/Status" light will cycle two red flashes while the machine is filling to the safe level.
- After this amount of water has heated to about 96°C the boiler will draw more water in until the temperature drops by 1 or 2 degrees. The boiler will then heat again. This heat fill cycle continues until the boiler is full.
- On the T10, whilst the machine is above the safe level and filling, the "Ready/Status" light will remain blank.
- The "Ready/Status" light will glow green when the machine is both full and up to normal operating temperature, allow approx 30 minutes.
- The boiler is now ready for use.

NOTE: Because the boiler is electronically controlled no priming is necessary. The element cannot switch on until a safe level of water is reached.