
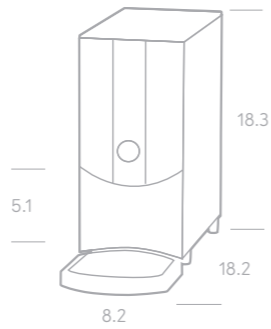


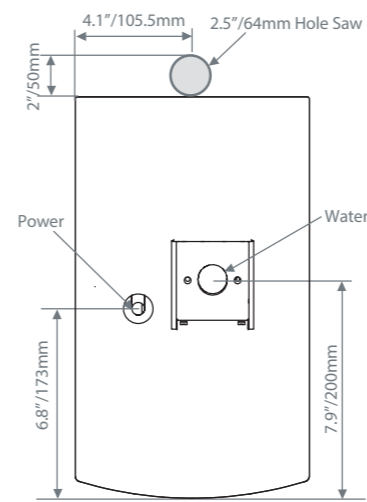
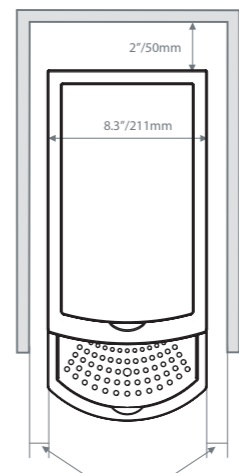
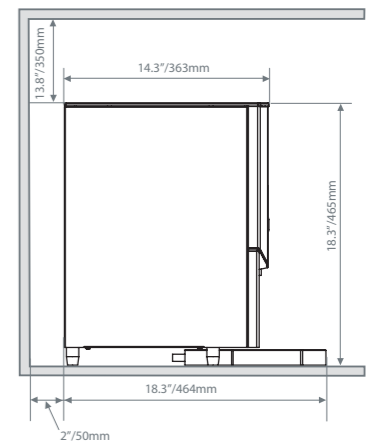
# ECOBOILER COUNTERTOP WATER BOILERS/PUSH BUTTON

# ECOBOILER COUNTERTOP WATER BOILER/PUSH BUTTON

<p><b>ECOBOILER PB5</b> 1000665US</p>	<p><b>DIMENSIONS</b></p>
	
<ul style="list-style-type: none"> <li>• 1.3 gallons</li> <li>• Easy to descale</li> <li>• Made from 95% recyclable materials</li> </ul>	<ul style="list-style-type: none"> <li>• 7.3 gallons output per hour</li> <li>• 156 cups per hour</li> </ul>

**PUSH BUTTON OPTION FOR EASY USE IN SELF-SERVICE ENVIRONMENTS SUCH AS OFFICES AND SERVICE STATIONS.**

NAME ORDER CODE	POWER @ 230V	IMMEDIATE DRAW OFF	DIMENSIONS (D x W x H inches)	NEMA	TAP TO TRAY (inches)	PLUMBING REQS
EcoBoiler PB5 1000665US	2.8kW	1.3 GAL	18.2 x 8.2 x 18.3	L6-20P	5.1	3/8" NPT

<p><b>ECOBOILER PB5</b></p>	<p><b>COUNTER CUTOUT</b></p>	<p><b>CABINET CLEARANCE</b></p>	<p><b>ECOBOILER PB5 1000665US</b></p>
	 <p>* Required for ventilation if the machine is installed in an enclosed cabinet.</p>		

### ELECTRICAL INSTALLATION PROCEDURE

When installing the machine, always observe the local regulations and standards. The appliance is supplied with a NEMA L6-20P moulded power cord. A suitable mains power supply socket should be available within easy access of the appliance so that it can be disconnected easily after install.

### PLUMBING INSTALLATION PROCEDURE

- Ensure that the equipment is installed according to local plumbing & water regulations.
- Mains water pressure required (limits): 14.5 -145psi (100 -1000kPa, 0.1 - 1MPa).
- Requires inline water filter within your water specifications.
- The machine is supplied with a 3/8 NPT connection.
- Connect straight tailpiece of the hose to the stop valve fitting. Make sure that the pre-attached sealing washer is fitted.
- Turn on the water to flush any impurities, dust etc from the inlet hose and water pipe. Allow several litres through, especially for new installations.
- Connect the hose to the inlet valve of the boiler. Make sure a sealing washer is fitted.
- Turn on water and check for leaks.

### OPERATING BOILER FOR THE FIRST TIME

- Check that all installation procedures have been carried out.
  - Ensure water valve is on.
  - Plug boiler into a suitable socket and press power button on the front of the machine marked 'Power'. **NOTE:** On the T5 the 'Power' button light also acts as the "Ready/Status" indicator.
  - The "power on" light will glow green and the machine will fill to a safe level, above the elements, before heating.
  - The "Ready/Status" light will cycle two red flashes while the machine is filling to the safe level.
  - After this amount of water has heated to about 96°C the boiler will draw more water in until the temperature drops by 1 or 2 degrees. The boiler will then heat again. This heat fill cycle continues until the boiler is full.
  - Whilst the machine is above the safe level and filling, the "Ready/Status" light will glow orange.
  - The "Ready/Status" light will glow green when the machine is both full and up to normal operating temperature, allow approx 15 minutes.
  - The boiler is now ready for use.
- NOTE:** Because the boiler is electronically controlled no priming is necessary. The element cannot switch on until a safe level of water is reached.