
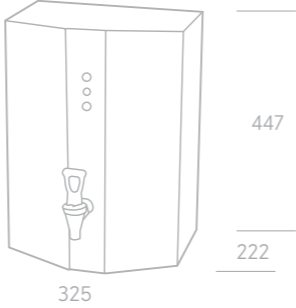


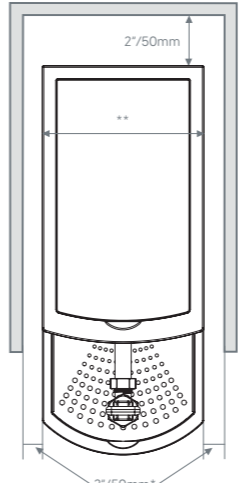
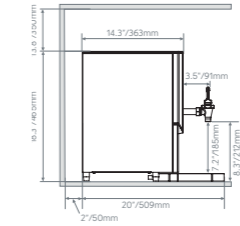
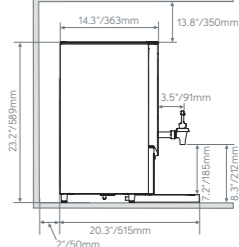
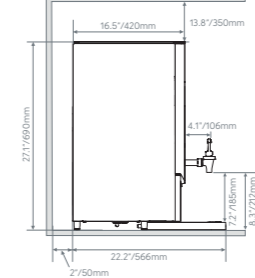
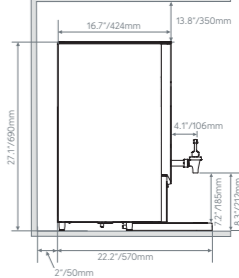
ECOBOILER T5 1000660	ECOBOILER T10 1000661	ECOBOILER T20 1000662	ECOBOILER T30 1000663	DIMENSIONS
				
<ul style="list-style-type: none"> • 5, 10, 20 or 30 litre options • Easy to descale • Removeable drip tray 		<ul style="list-style-type: none"> • Made from 95% recyclable materials • Energy-efficient with precise temperature 		

SEE TABLE FOR PRODUCT DIMENSIONS

ECOBOILER WALL MOUNT 1000671	DIMENSIONS
	
<ul style="list-style-type: none"> • 133 cups (180ml) per hour 	<ul style="list-style-type: none"> • Wall mounted to take up minimal space

TAP BOILERS IN A RANGE OF VOLUMES FOR CATERING LOCATIONS SUCH AS CAFÉS, HOTELS, RESTAURANTS AND CANTEENS.

NAME ORDER CODE	POWER @ 230V	IMMEDIATE DRAW OFF	OUTPUT PER HOUR	CUPS (180ml) PER HOUR	DIMENSIONS (D x W x H mm)	TAP TO TRAY (T mm)	PLUMBING REQS
Ecoboiler T5 1000660	2.8kW	5 L	28 L	156	505 x 212 x 465	185	3/4" BSP
Ecoboiler T10 1000661	2.8kW	10 L	28 L	156	505 x 212 x 590	185	3/4" BSP
Ecoboiler T20 1000662	2.8kW	20 L	28 L	156	566 x 242 x 690	185	3/4" BSP
Ecoboiler T30 1000663	5.6kW	30 L	56 L	311	570 x 302 x 690	185	3/4" BSP
Ecoboiler WMT 5 1000671	2.4kW	5 L	24 L	133	222 x 325 x 447	—	3/4" BSP

ECOBOILER T5, T10, T20, T30		
CABINET CLEARANCE	ECOBOILER T5 1000660	ECOBOILER T10 1000661
 <p>* Required for ventilation if the machine is installed in an enclosed cabinet.</p> <p>**Ecoboiler T5 8.3"/212mm Ecoboiler T10 8.3"/212mm Ecoboiler T20 9.5"/242mm Ecoboiler T30 11.8"/302mm</p>		
	ECOBOILER T20 1000662	ECOBOILER T30 1000663
		

ELECTRICAL INSTALLATION PROCEDURE

When installing the machine, always observe the local regulations and standards. The standard machine is supplied with a UK 3-pin plug. For EU models a 2-pin CEE-7 plug will be supplied. US models will be supplied with the suitable plug. A suitable mains power supply socket should be available within easy access of the appliance so that it can be disconnected easily after install.

PLUMBING INSTALLATION PROCEDURE

- Ensure that the equipment is installed according to local plumbing & water regulations.
- Mains water pressure required (limits): 14.5 - 145psi (100 - 1000kPa, 0.1 - 1MPa).
- Requires inline water filter within your water specifications.
- The machine is supplied with a 3/4" BSP connection.
- Connect straight tailpiece of the hose to the stop valve fitting. Make sure that the pre-attached sealing washer is fitted.
- Turn on the water to flush any impurities, dust etc from the inlet hose and water pipe. Allow several litres through, especially for new installations.
- Connect the hose to the inlet valve of the boiler. Make sure a sealing washer is fitted.
- Turn on water and check for leaks.

OPERATING BOILER FOR THE FIRST TIME

- Check that all installation procedures have been carried out.
- Ensure water valve is on.
- Plug boiler into a suitable socket and press power button on the front of the machine marked 'Power'. **NOTE:** On the T5 the 'Power' button light also acts as the 'Ready/Status' indicator.
- The "power on" light will glow green and the machine will fill to a safe level, above the elements, before heating.
- The "Ready/Status" light will cycle two red flashes while the machine is filling to the safe level.
- Whilst the machine is above the safe level and filling, the "Ready/Status" light will glow orange.
- The "Ready/Status" light will glow green when the machine is both full and up to normal operating temperature, allow approx 15 minutes.
- The boiler is now ready for use.

NOTE: Because the boiler is electronically controlled no priming is necessary. The element cannot switch on until a safe level of water is reached.