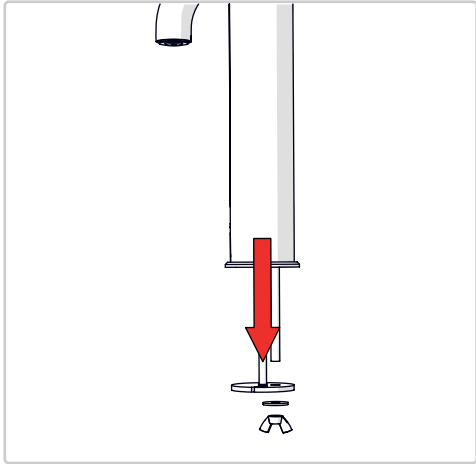
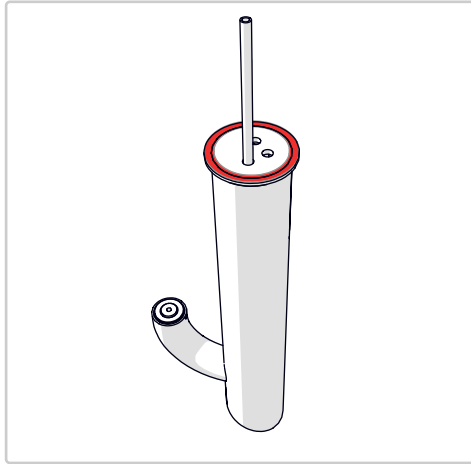




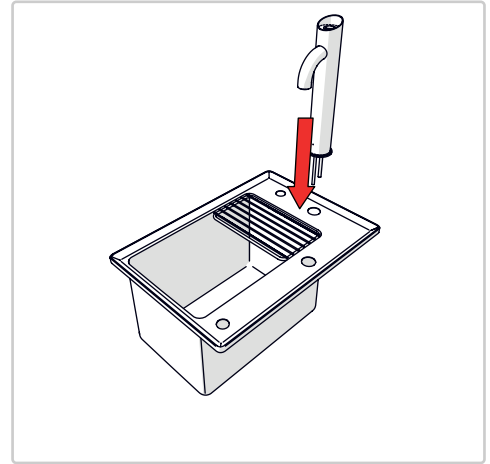
Please note a  $\varnothing$  32mm circular cut out is required in the sink/counter for the font.



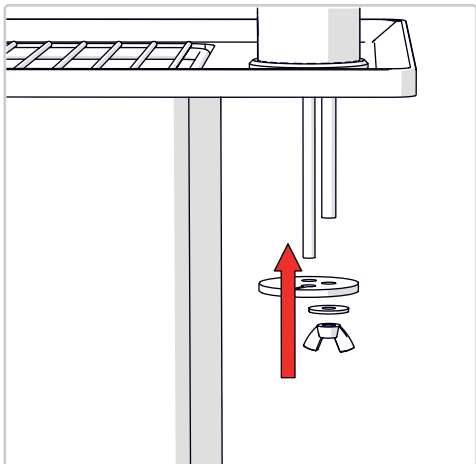
Remove mounting plate, washer and wing nut from the bottom.



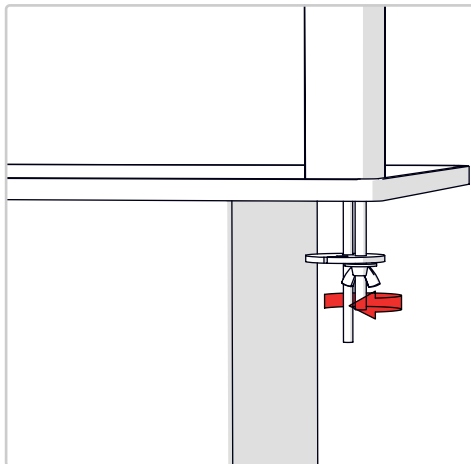
Apply silicone sealant to the bottom of the font in the area marked in red.



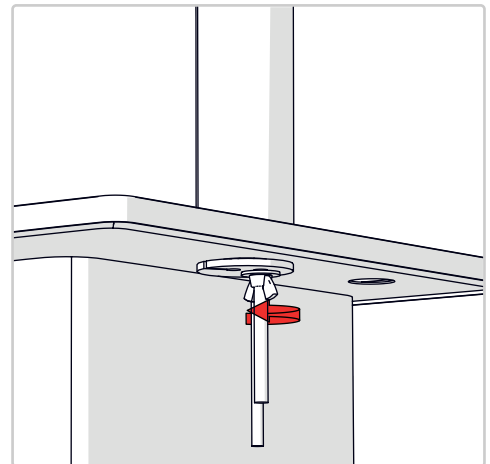
Mount the font on the sink. Placing the threaded bar, hose and wiring through the hole.



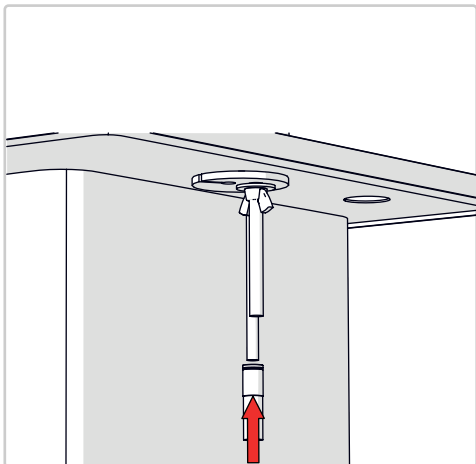
Place the mounting plate back through the threaded bar, hose and wiring. Screw the wing nut back on with the washer.



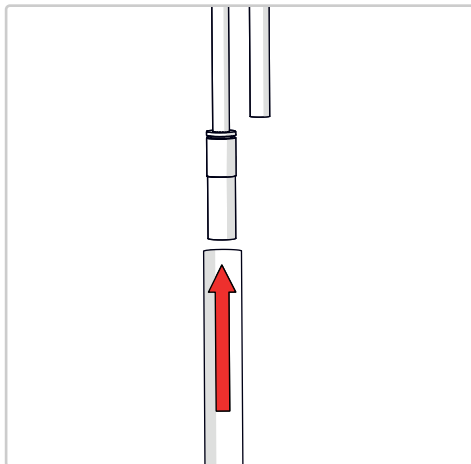
Tighten the wing nut up while threading the wiring and tube through the mounting plate.



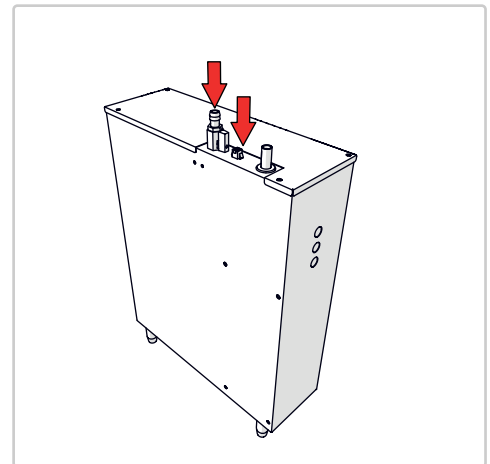
Firmly tighten the mounting plate to the base of the sink, making sure not to catch the wiring.



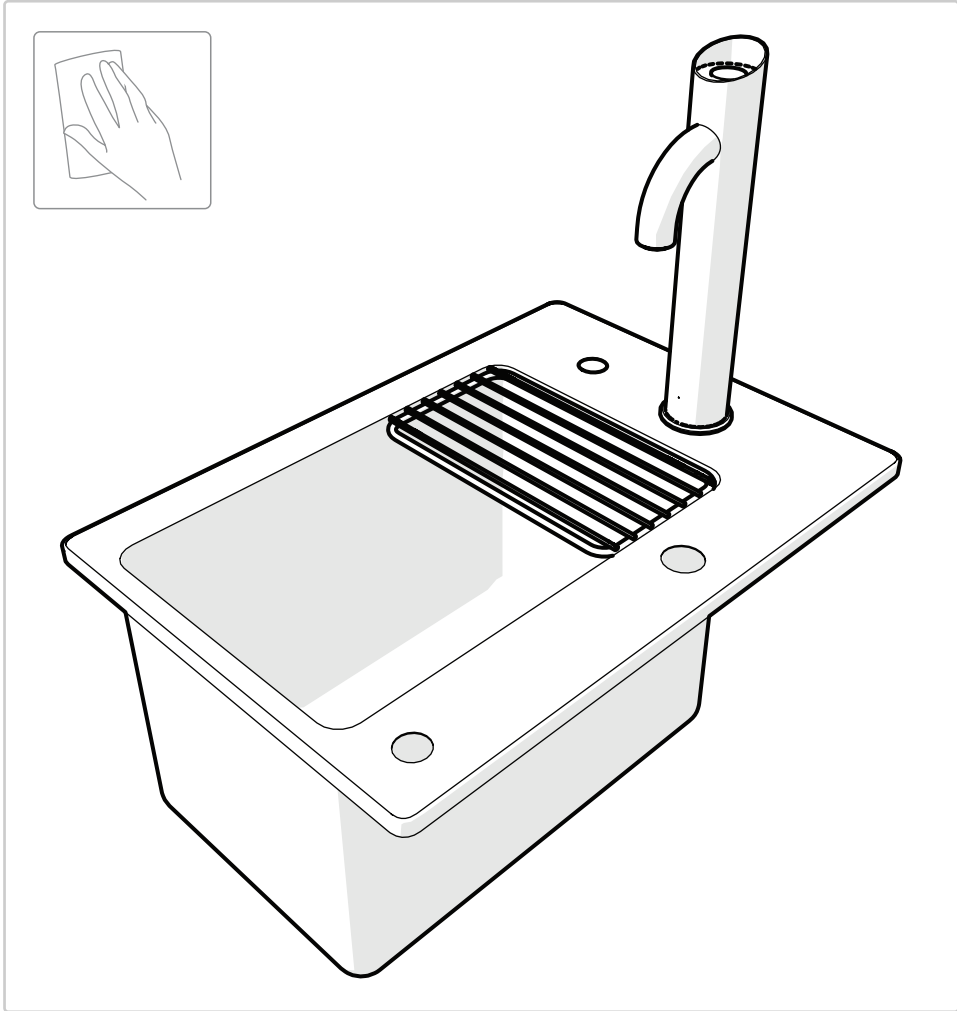
Place the fitting supplied to the hose. **PUSHING FIRMLY**



Attach the silicone tube supplied to the fitting on the hose and cut to length. Please ensure the hose is straight and free of any bends.



Attach the silicone tube to the water outlet (A). Connect the wiring from the font to the four way connector (B).



The exterior of this font may be cleaned with a damp cloth and a light detergent. Do not use abrasive cloths or creams, as this will spoil the finish of the font. Do not use a water jet or spray. Beware of accidentally operating the font when cleaning the top of the font.

**RISK OF SCALDING:**

Beware of accidentally operating the font – especially when cleaning around the push button.