

SYPP 4

Dispenses up to 8 flavours with hot/cold/sparkling water

- > Flexible menu creation
- > Accurate portion control
- > Reduced waste & increased profitability
- > Consistent and quick service
- > Connect between 4 to 8 syrups*
- > Compatible with FRIIA Chiller/Carbonator and MIX Boiler

SYPP HEAD 1000915



SET-UP

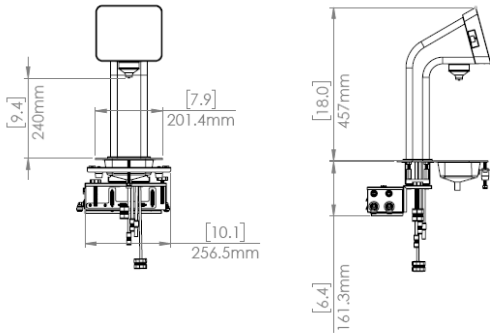


SYPP 4

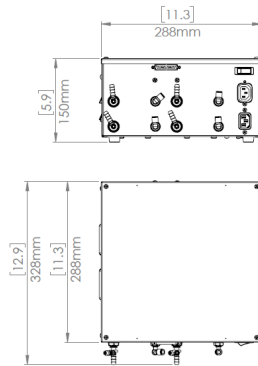
BUNDLE	ITEMS INCLUDED	
SYPP 4 5000915	SYPP Head	1000915
	SYPP Pump Box	1000910
TO SCALE TO 8 FLAVOURS		
ADD:	SYPP Pump Box	1000910
OPTIONAL	4 Container Rack x 2	1000920

DIMENSIONS

SYPP Head 1000915



SYPP Pump Box 1000910



OPTIONAL ADD ONS

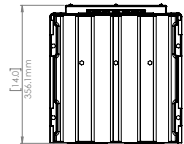
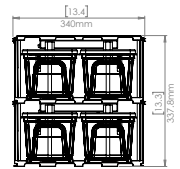
SYPP 4 CONTAINER RACK
1000920

CHILLED/SPARKLING BEVERAGE:

FRIIA CHILLER/
CARBONATOR
1000052/1000053

HOT BEVERAGE:

MIX UC3
1000800



14d x 13.4w x 13.3h

SPECS

PRODUCT INFO	SIZE		PLUMBING, ELECTRICAL AND TECHNICAL SPECS				
NAME ORDER CODE	DIMS (D X W X H inch)	TAP TO TRAY (H)	PLUMBING	ELECTRICAL MAINS	MAX POWER	DRAIN REQ'D	
SYPP Head 1000915	14.6 x 10.1 x 24.4* (18h over counter) *(overall size including tubing, brackets flow meter box etc)	9.4	Fit a push-fit 3/8" on cold water line. Water inlet pressure (min - max) - .01 - .05 MPa (14.5 - 70 psi)	Font powered by pump box			Y
SYPP Pump Box 1000910	12.9 x 11.3 x 5.9	-	-	BS1363 (IRL&UK), CEE7 (EU), NEMA 515P (US) plug to C13 IEC	120 -230V 50/60Hz 150W	150W per box	-

SYPP CAN DISPENSE:

Syrups (up to honey)	✓	Purees	✗
Alt Milks	✓	Dairy Milk	✗
Juice	✓		

COMPATIBLE WITH:

Non pressurised vessels;
SYPP Containers, BIBs, Tetra-packs,
Bottles, Urns.

*8 syrups require additional pump box