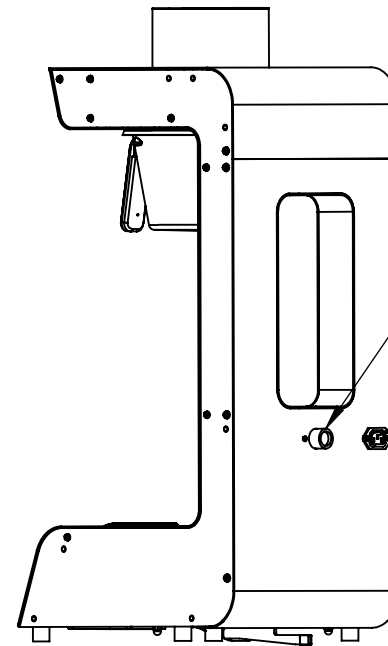


Electrical connection
(IEC C20 to NEMA L6-20P)



Water inlet
(3/4" BSP to 9/16-24 UNEF)

Electrical connection
to Jet grinder

marco

DESCRIPTION:	1000851US Jet 6 2.8kW General Aspect		DRAWN BY	RP	29/01/2018	
	DWG NO.:	1000851US-GA		APPROVED BY	DW	
		Dimensions	mm & inches		REVISION	a