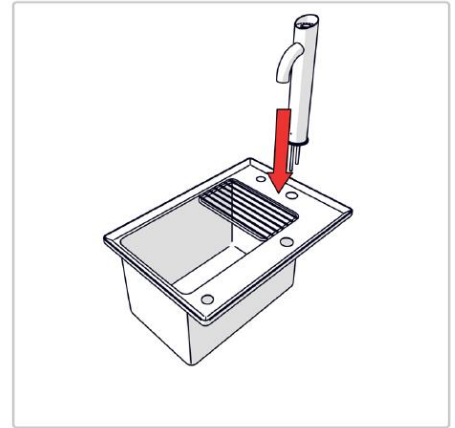


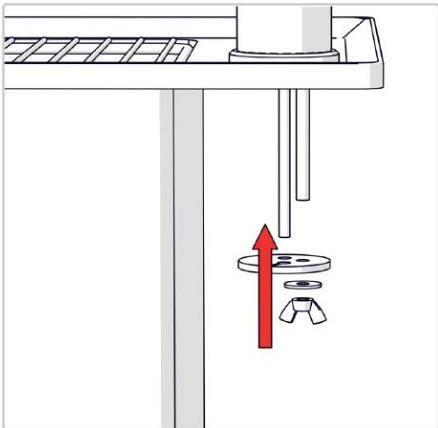
Remove mounting plate, washer and wing nut from the bottom.



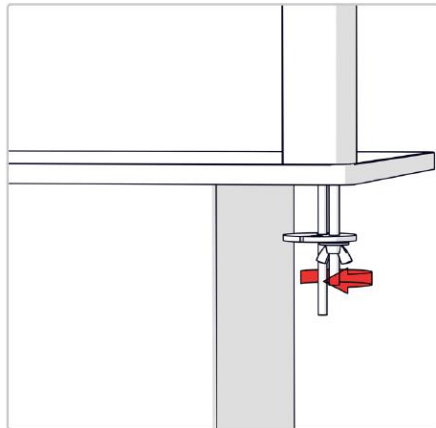
Apply silicone sealant to the bottom of the front in the area marked in red.



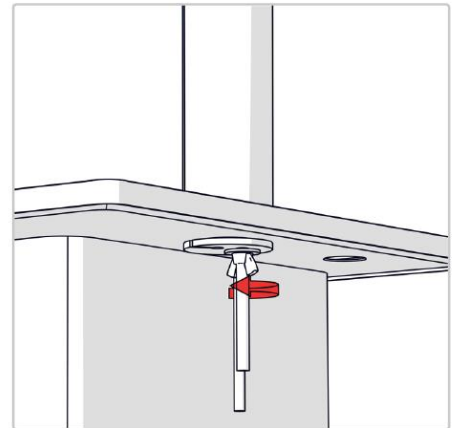
Mount the front on the sink. Placing the threaded bar, hose and wiring through the hole.



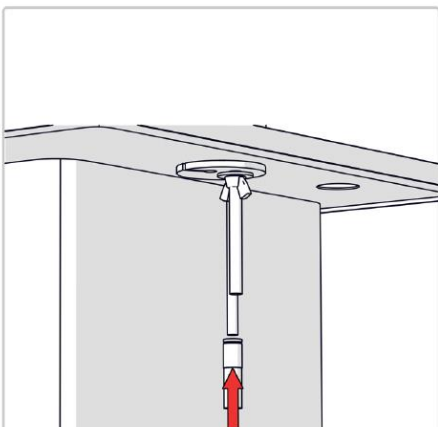
Place the mounting plate back through the threaded bar, hose and wiring. Screw the wing nut back on with the washer.



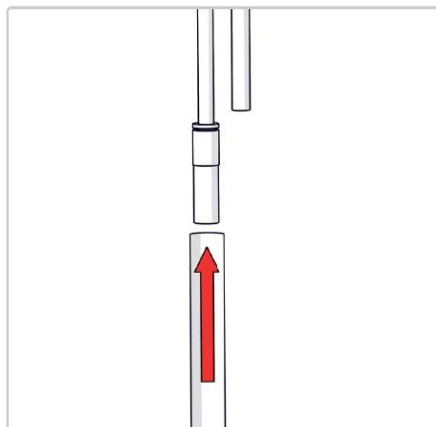
Tighten the wing nut up while threading the wiring and tube through the mounting plate.



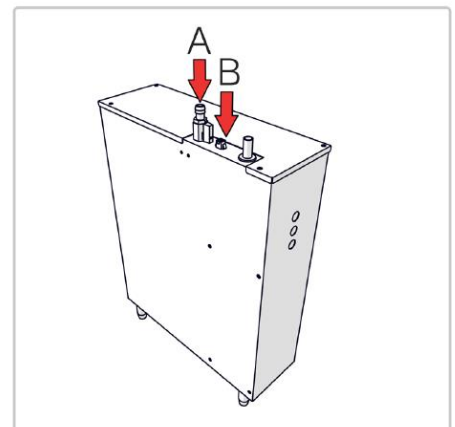
Firmly tighten the mounting plate to the base of the sink, making sure not to catch the wiring.



Place the fitting supplied to the hose. **PUSHING FIRMLY**



Attach the silicone tube supplied to the fitting on the hose and cut to length. Please ensure the hose is straight and free of any bends.



Attach the silicone tube to the water outlet (A). Connect the wiring from the front to the four way connector (B).